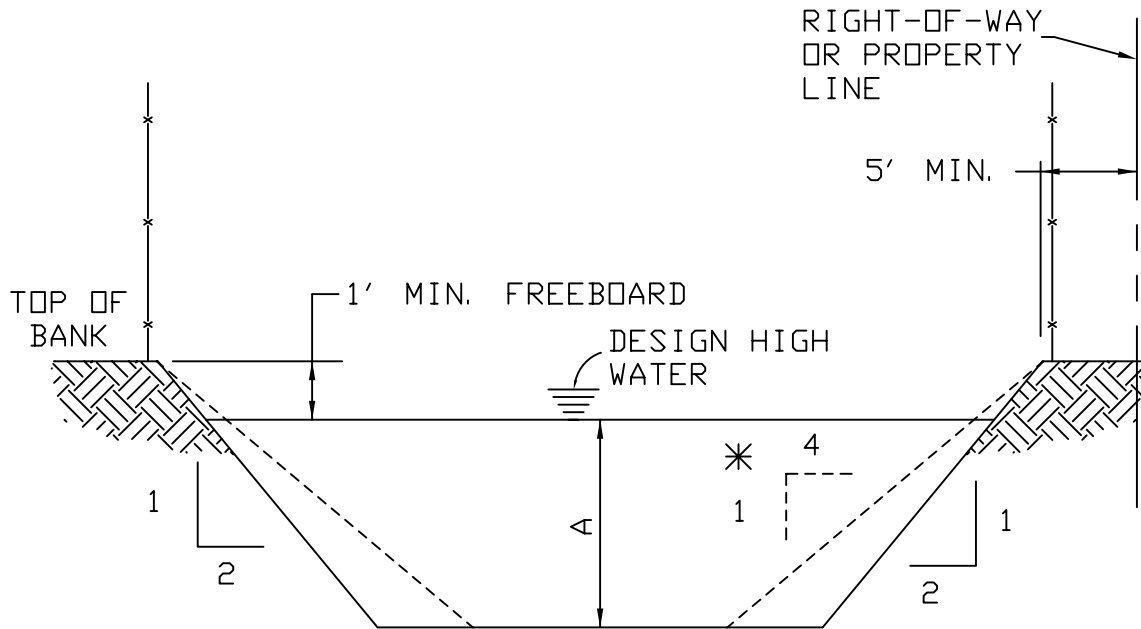


CASE 4

DRY DETENTION POND DETAIL

4' FENCE WITH SELF LOCKING GATE WHERE REQUIRED.



A

0' - 2'	NO FENCE REQUIRED
* > 2'	FENCE REQUIRED OR 4 TO 1 SIDE SLOPES

DETENTION POND
DETAIL
CASE 4

*CITY OF
JACKSONVILLE
STANDARD*

N.T.S.

PLATE D-1003

DATE DRAWN 7-20-93

REVISED DATE 5-12-94