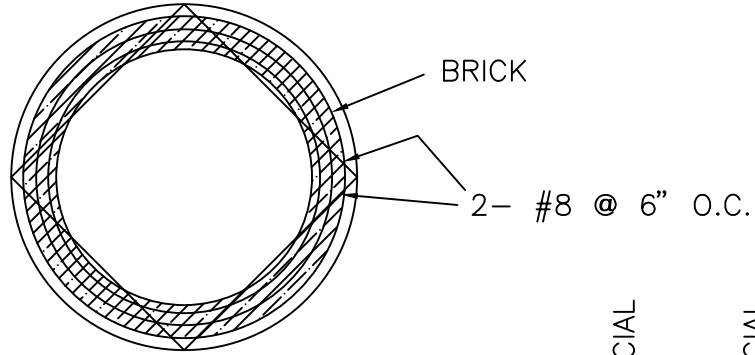
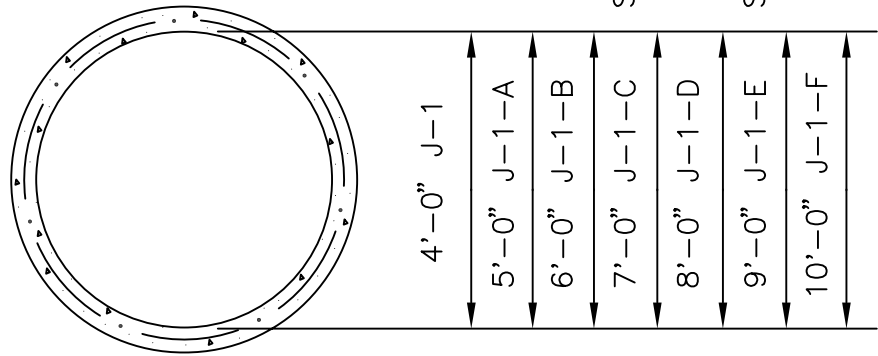


COVER

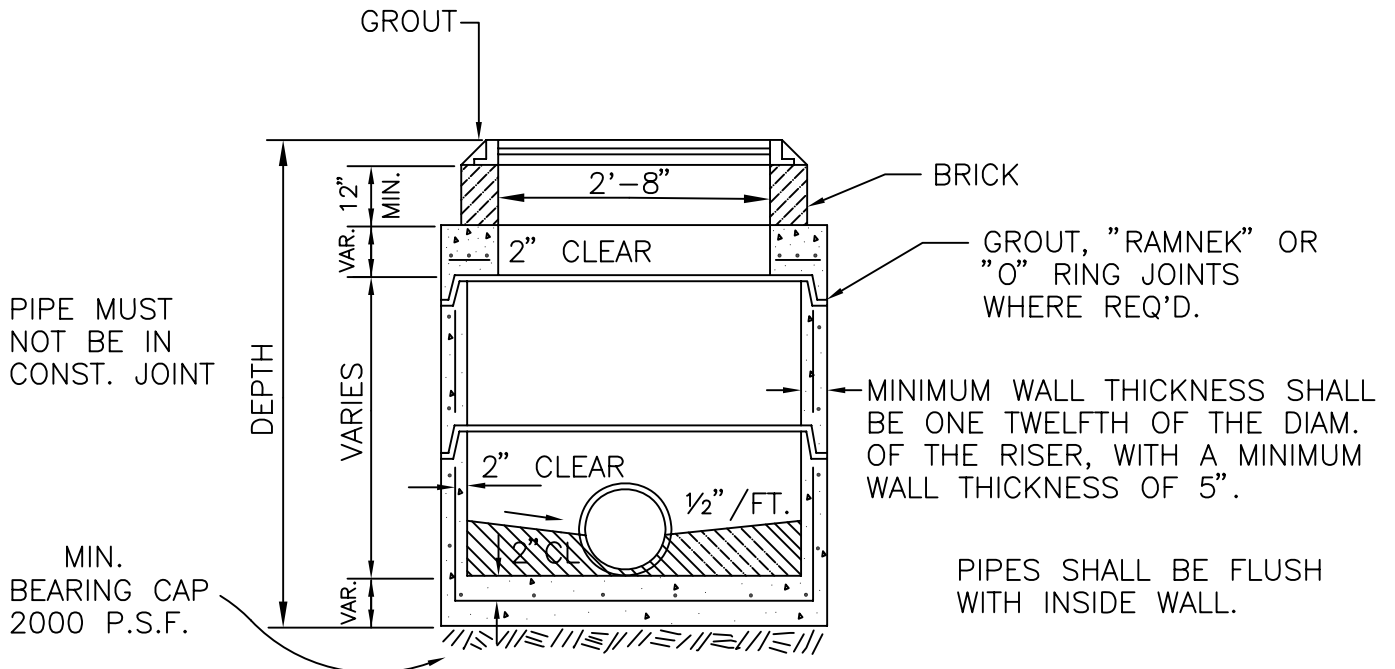


PLAN



PRECAST IN ACCORDANCE
WITH LATEST EDITIONS
OF ASTM C 478

MANHOLE COVER AND FRAME
PER CITY OF JAX. STD.



NOTE: FOR ADDITIONAL STRUCTURAL DETAILS REFER TO PLATE D-110

STORM SEWER TYPE J-1 THRU J-1-F MANHOLE	<i>CITY OF JACKSONVILLE STANDARD</i>		N.T.S.	PLATE D-101
			DATE DRAWN	AUG. 1979
			REVISED DATE	5-12-94