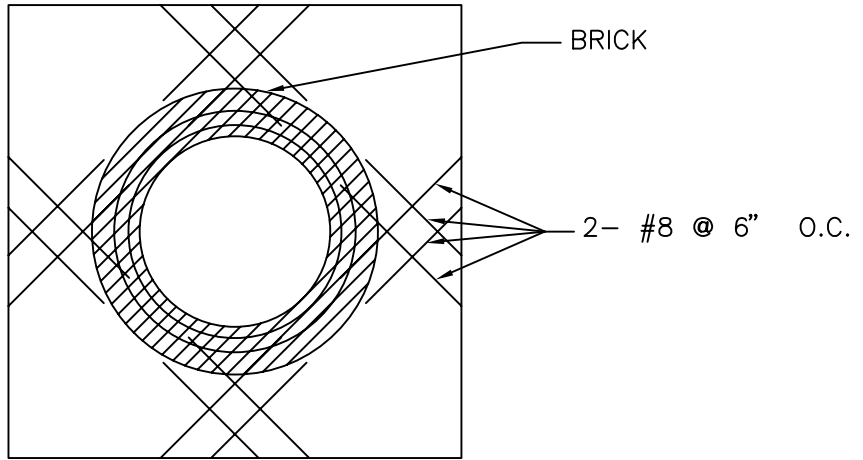
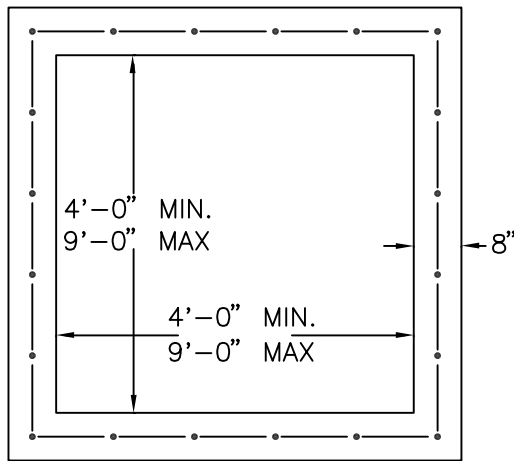


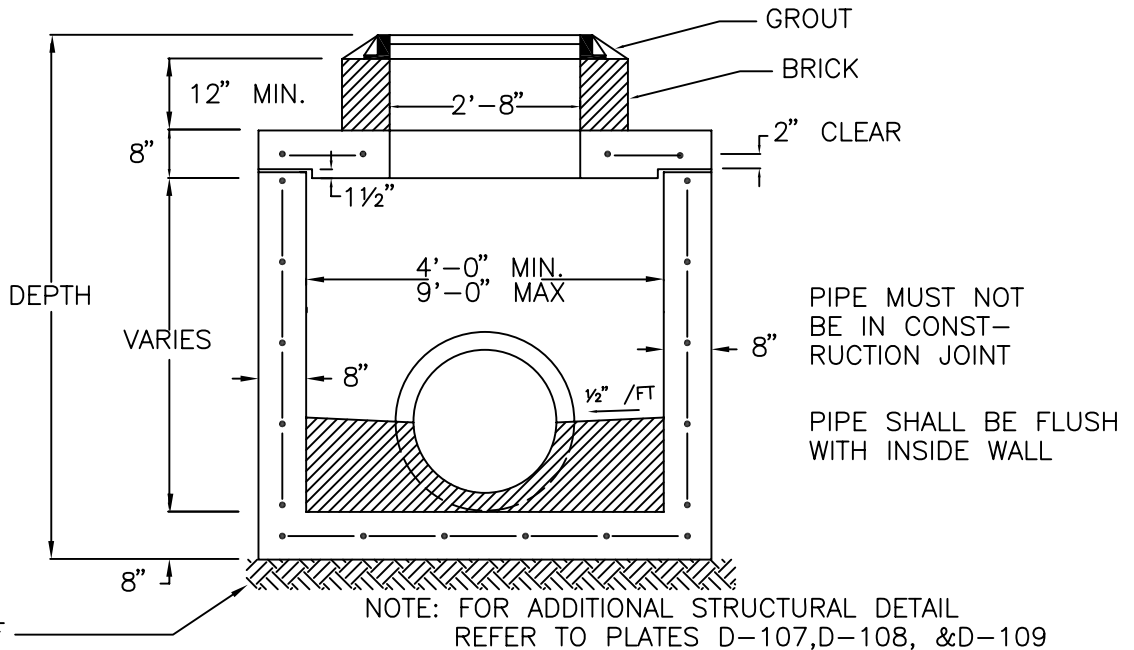
COVER



PLAN



MANHOLE COVER &
FRAME PER CITY
OF JAX. STD.



STORM SEWER
TYPE J-2
MANHOLE

*CITY OF
JACKSONVILLE
STANDARD*

N.T.S.

PLATE D-102

DATE DRAWN 1-31-89

REVISED DATE 5-12-94