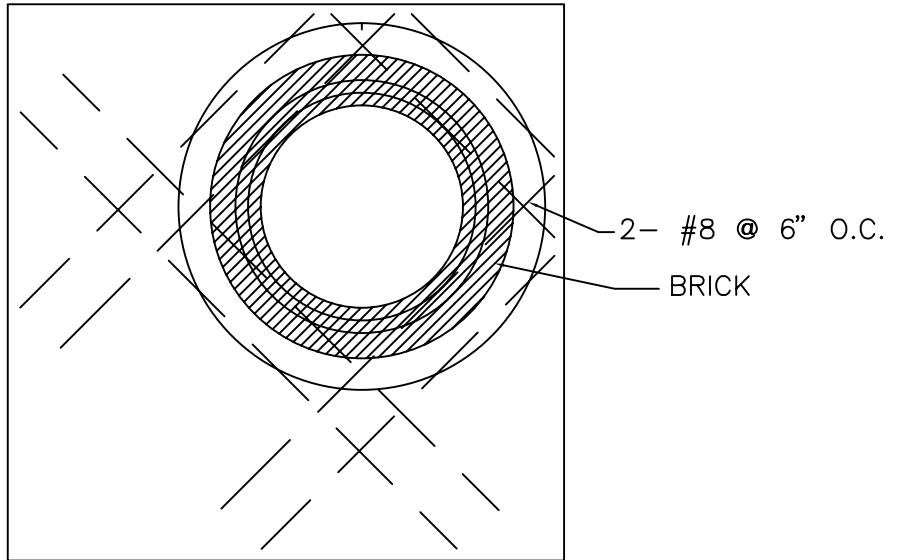


PLAN



MANHOLE COVER AND FRAME
PER CITY OF JAX. STD.

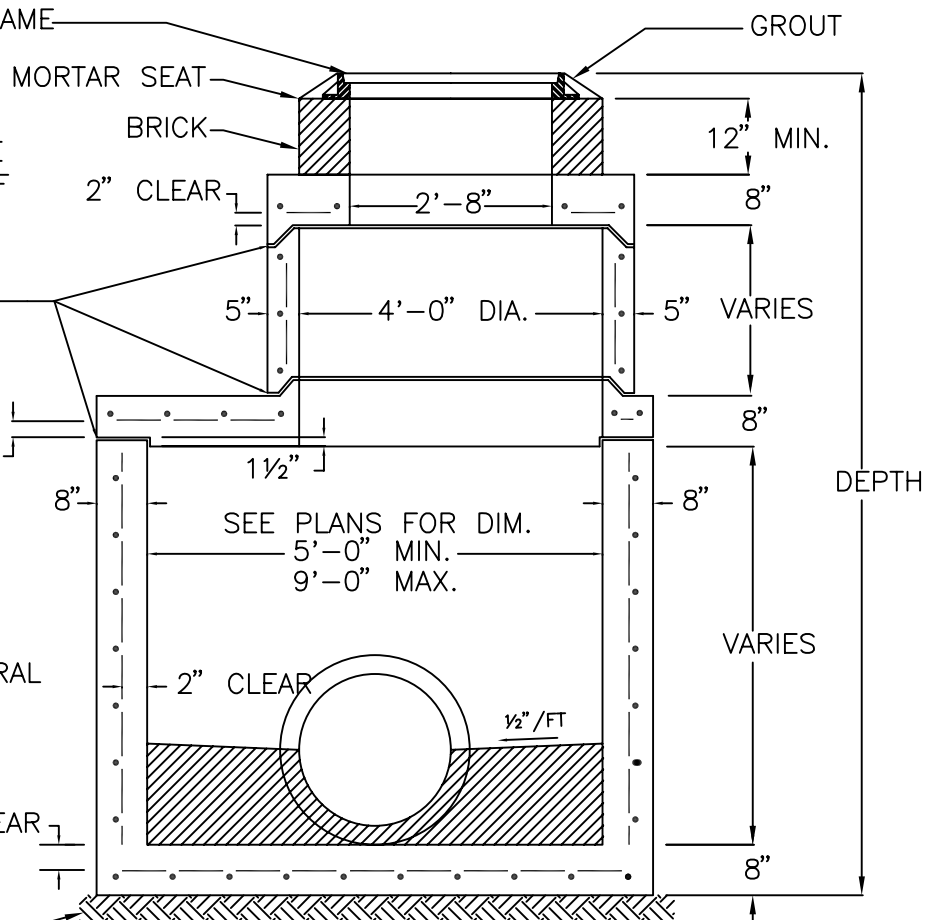
RISER SECTION
PRECAST IN ACCORDANCE
WITH LATEST EDITIONS OF
A.S.T.M. C478

GROUT, "RAM-NEK" OR
"O-RING" JOINTS
WHERE REQUIRED

PIPE MUST NOT BE
IN CONSTRUCTION
JOINT.

NOTE:
FOR ADDITIONAL STRUCTURAL
DETAILS REFER TO PLATE
D-107, D-108, D-109, &
D-110

MIN. BEARING
CAPACITY
2000 PSF



PIPES SHALL BE FLUSH WITH INSIDE WALL

STORM SEWER
TYPE J-3
MANHOLE

*CITY OF
JACKSONVILLE
STANDARD*

N.T.S.

PLATE D-103

DATE DRAWN 8-3-79

REVISED DATE 5-12-94