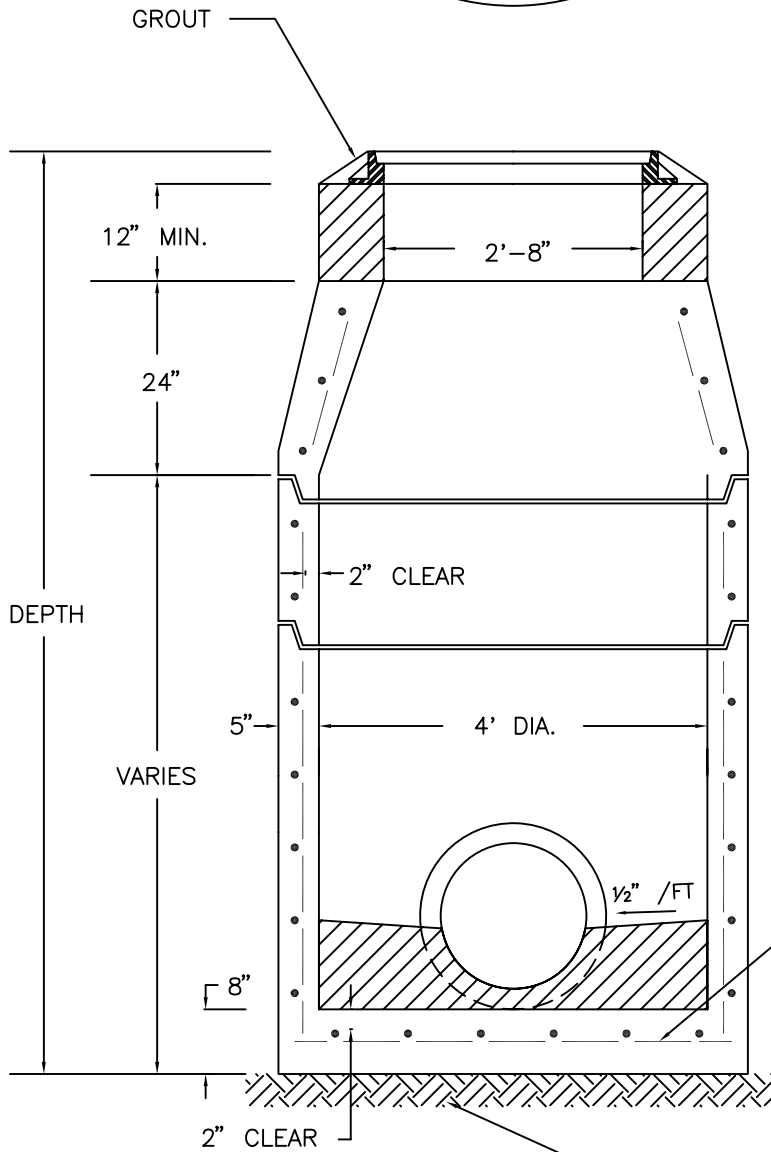


BRICK

NOTE: CONC. DESIGN STRENGTH 4000 PSI



MANHOLE TOP/FRAME PER CITY OF JAX. STD.

PRECAST IN ACCORDANCE WITH LATEST EDITIONS OF ASTM C478

GROUTED, OR "RAM-NEK", OR "O RING" JOINTS WHERE REQUIRED

MAX. SERVICE LINES:
24" RCP THRU 180°
18" RCP THRU DOWN TO 90°

PIPES MUST NOT BE IN CONSTRUCTION JOINT

PIPES SHALL BE FLUSH WITH INSIDE WALL

REINFORCE BOTTOM WITH #4 @ 9" O.C. B.W.

BEARING CAPACITY MINIMUM 2000 PSF

NOTE: FOR ADDITIONAL STRUCT. DETAIL REFER TO PLATE D0110

STORM SEWER
TYPE J-5
MANHOLE

*CITY OF
JACKSONVILLE
STANDARD*

N.T.S.

PLATE D-105

DATE DRAWN

2-15-89

REVISED DATE

5-12-94