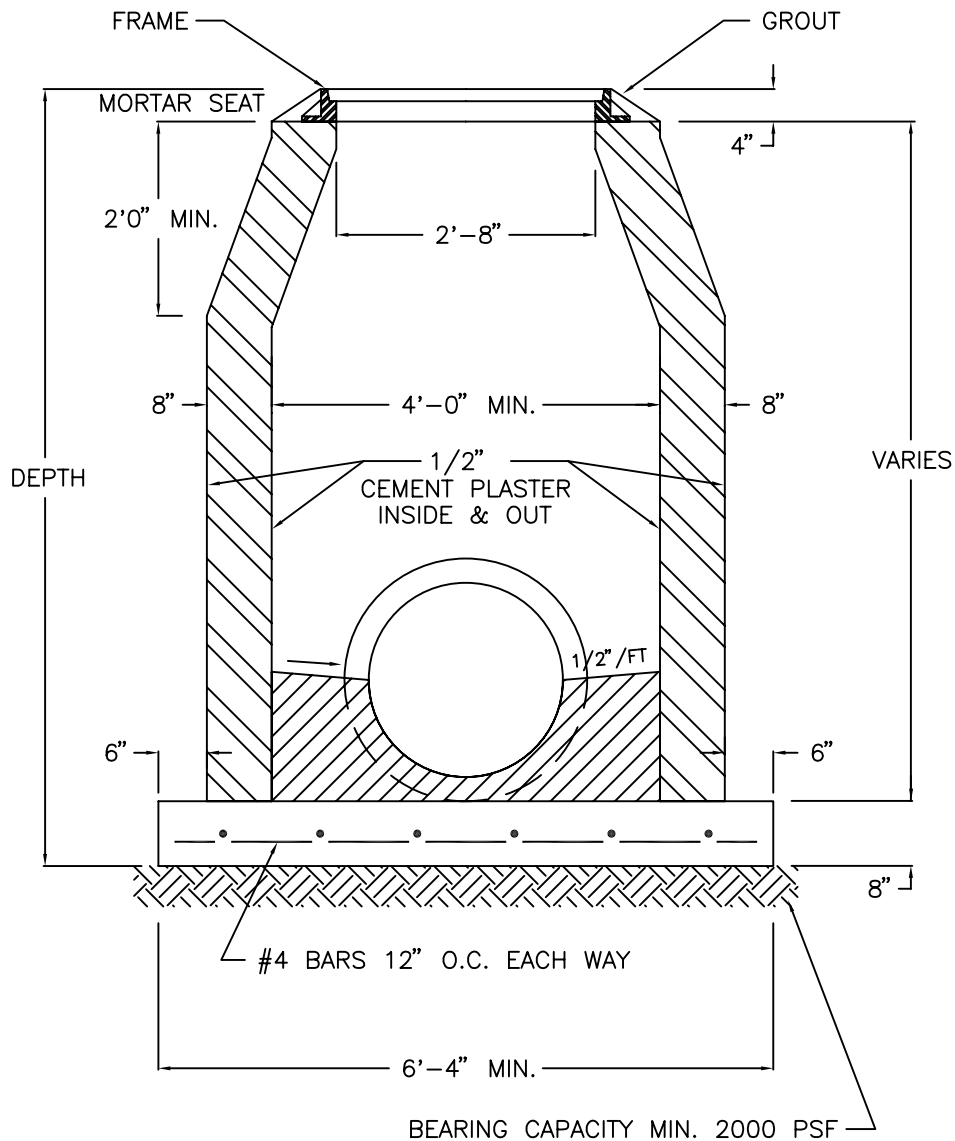


NOTES:

1. MANHOLES OVER 10' DEEP SHALL HAVE 12" WALL THICKNESS FOR ALL PORTIONS OF WALL OVER 10' DEEP.
2. MANHOLE COVER AND FRAME PER CITY OF JACKSONVILLE STANDARD.
3. BOTTOM SLAB TO BE 4000 P.S.I. CLASS "A" CONCRETE.



STORM SEWER  
BRICK  
MANHOLE

*CITY OF  
JACKSONVILLE  
STANDARD*

N.T.S.

PLATE D-106

DATE DRAWN 2-15-79

REVISED DATE 5-12-94