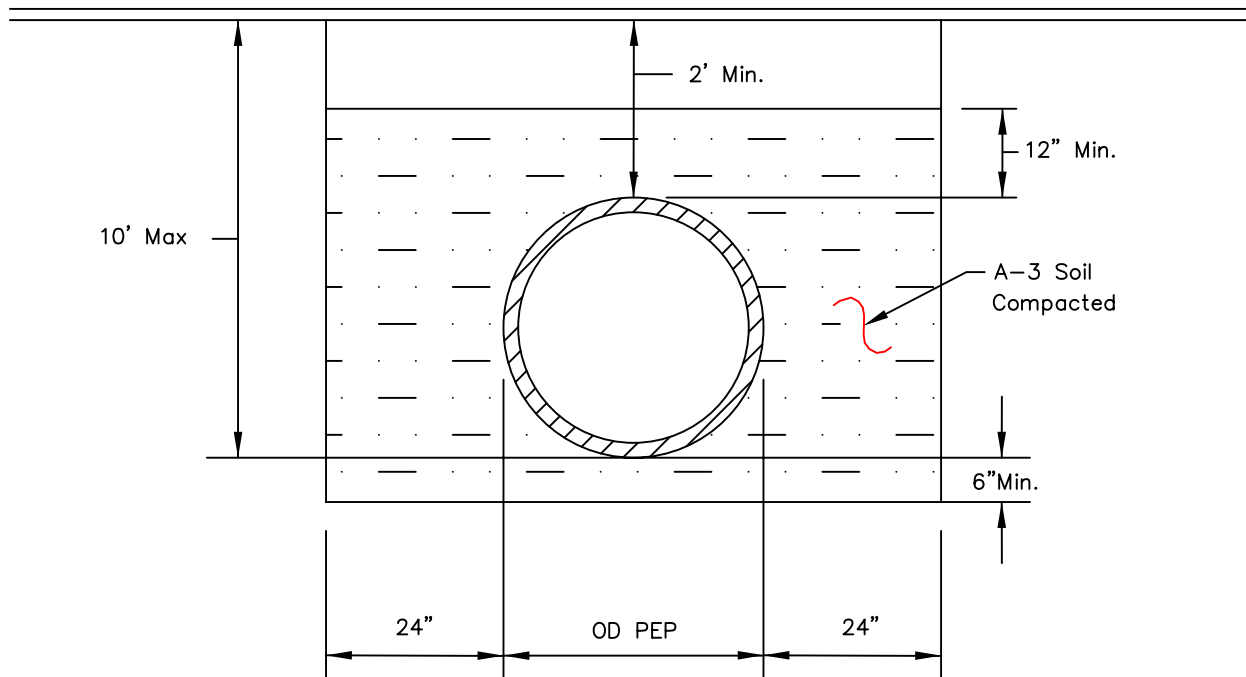


POLYETHYLENE PIPE

- * PIPE SIZES ALLOWED 15" THROUGH 36"
- * PIPE SIZES LARGER THAN 24 INCHES MAY NOT BE INSTALLED UNDER ROADWAYS.
- * RUBBER OR NEOPRENE GASKETS REQUIRED
- * HYDROSTATIC FIELD TESTING REQUIRED OR FILTER FABRIC
- * MAXIMUM FILL HEIGHT IS TEN FEET
- * MINIMUM COVER OVER PIPE IS TWO FEET
- * MAXIMUM DEFLECTION IS 5%
- * PIPES SIZES LARGER THAN 24" SHALL BE TESTED FOR DEFLECTION USING A MANDREL. HOWEVER DURING VISUAL INSPECTION, SHOULD THE CITY ENGINEER [OR HIS DESIGNEE] DETERMINE THAT THESE APPLICATIONS [FOR PIPE 24" OR LESS] WARRANT MANDREL TESTING, A MANDREL TEST WILL BE REQUIRED
- * PIPE TRENCH SHALL BE EXCAVATED A MINIMUM OF 6" BELOW AND 24" ON EITHER SIDE OF THE PIPE
- * BEDDING AND BACKFILL SHALL BE EITHER CRUSHED STONE / GRAVEL OR A - 3 SOIL
- * MITERED END SECTIONS MUST BE FABRICATED FROM ANOTHER APPROVED CULVERT MATERIAL
- * PIPE SPECIFICATIONS TO BE IN ACCORDANCE WITH THE CITY'S LAND DEVELOPMENT PROCEDURES MANUAL



POLYETHYLENE PIPE
TRENCH DETAIL

*CITY OF
JACKSONVILLE
STANDARD*

N.T.S.

PLATE P-1101

DATE DRAWN 9/18/03

REVISED DATE