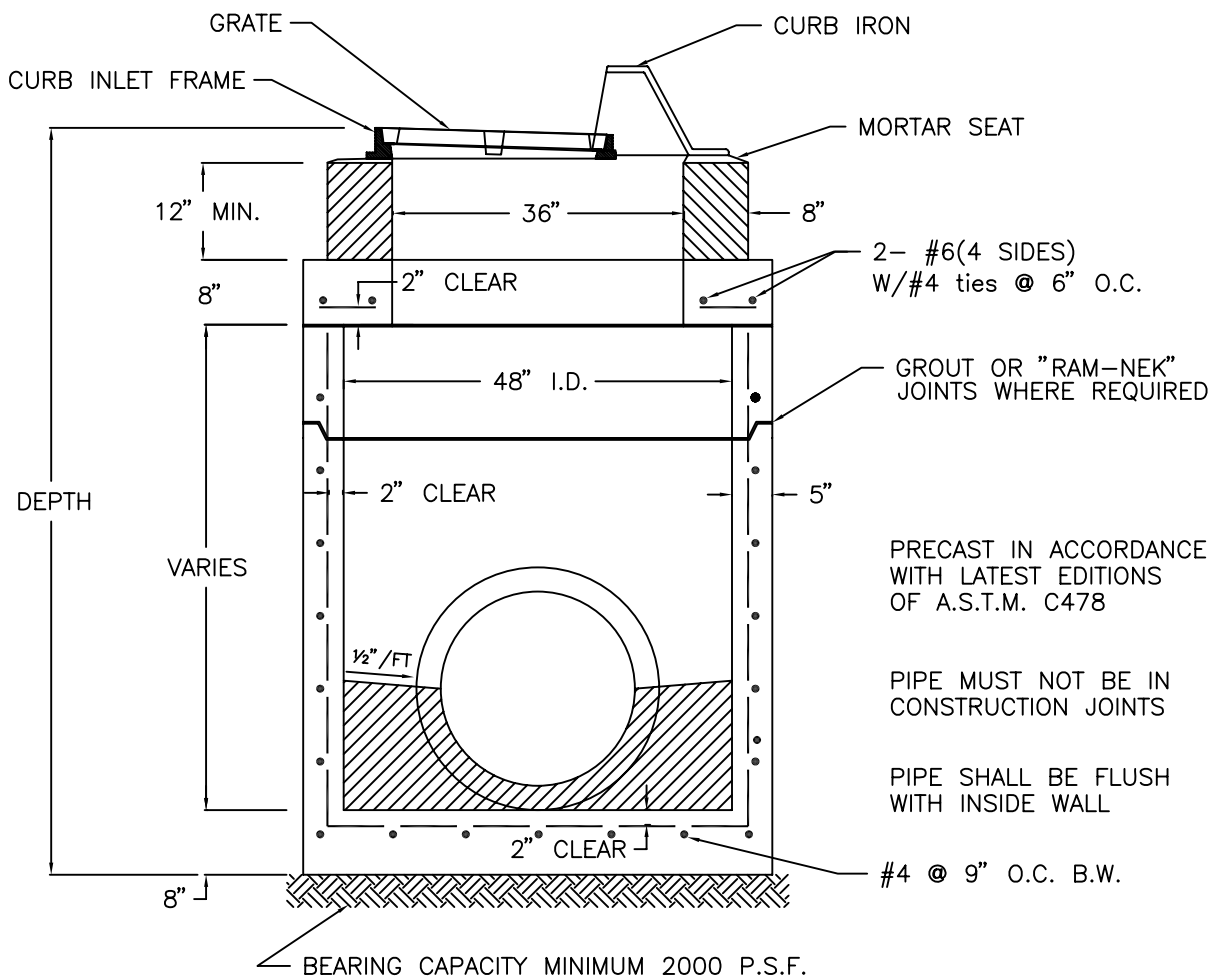


NOTE: CONC. DESIGN  
STRENGTH 4,000 PSI



STORM SEWER  
48" I.D.  
CURB INLET

*CITY OF  
JACKSONVILLE  
STANDARD*

N.T.S.

PLATE D-203

DATE DRAWN 4-21-79

REVISED DATE 5-12-94