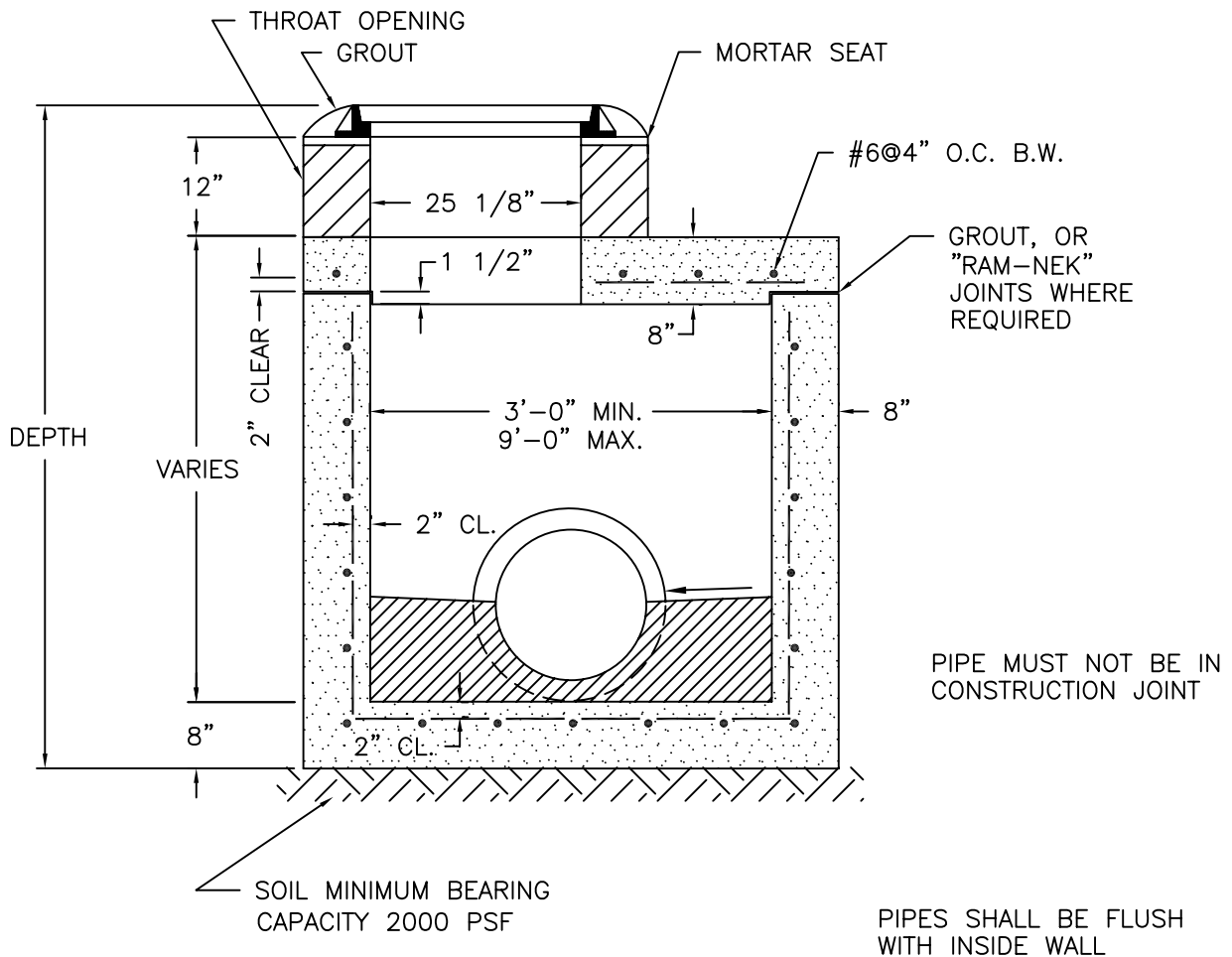
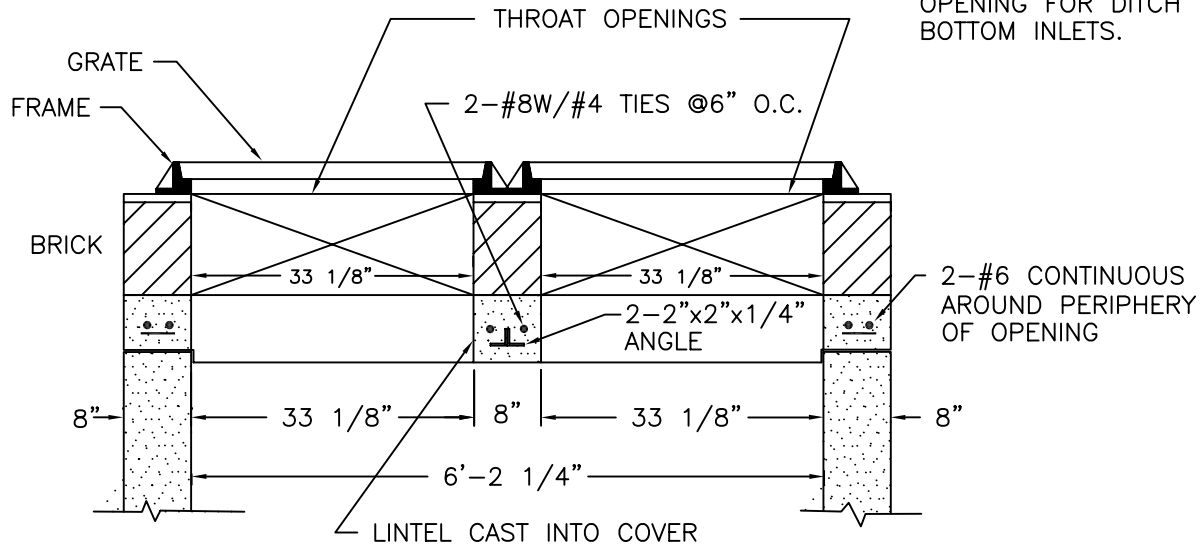


THROAT OPENING ON EITHER OR BOTH SIDES AS SHOWN ON PLANS; SEE DETAILS ON OPENING FOR DITCH BOTTOM INLETS.



NOTE: FOR ADDITIONAL STRUCTURAL DETAIL REFER TO PLATE D-107, D-108, & D-109

STORM SEWER
DOUBLE TYPE "B"
INLET

CITY OF
JACKSONVILLE
STANDARD

N.T.S.

PLATE D-206

DATE DRAWN 5-16-79

REVISED DATE 5-12-94