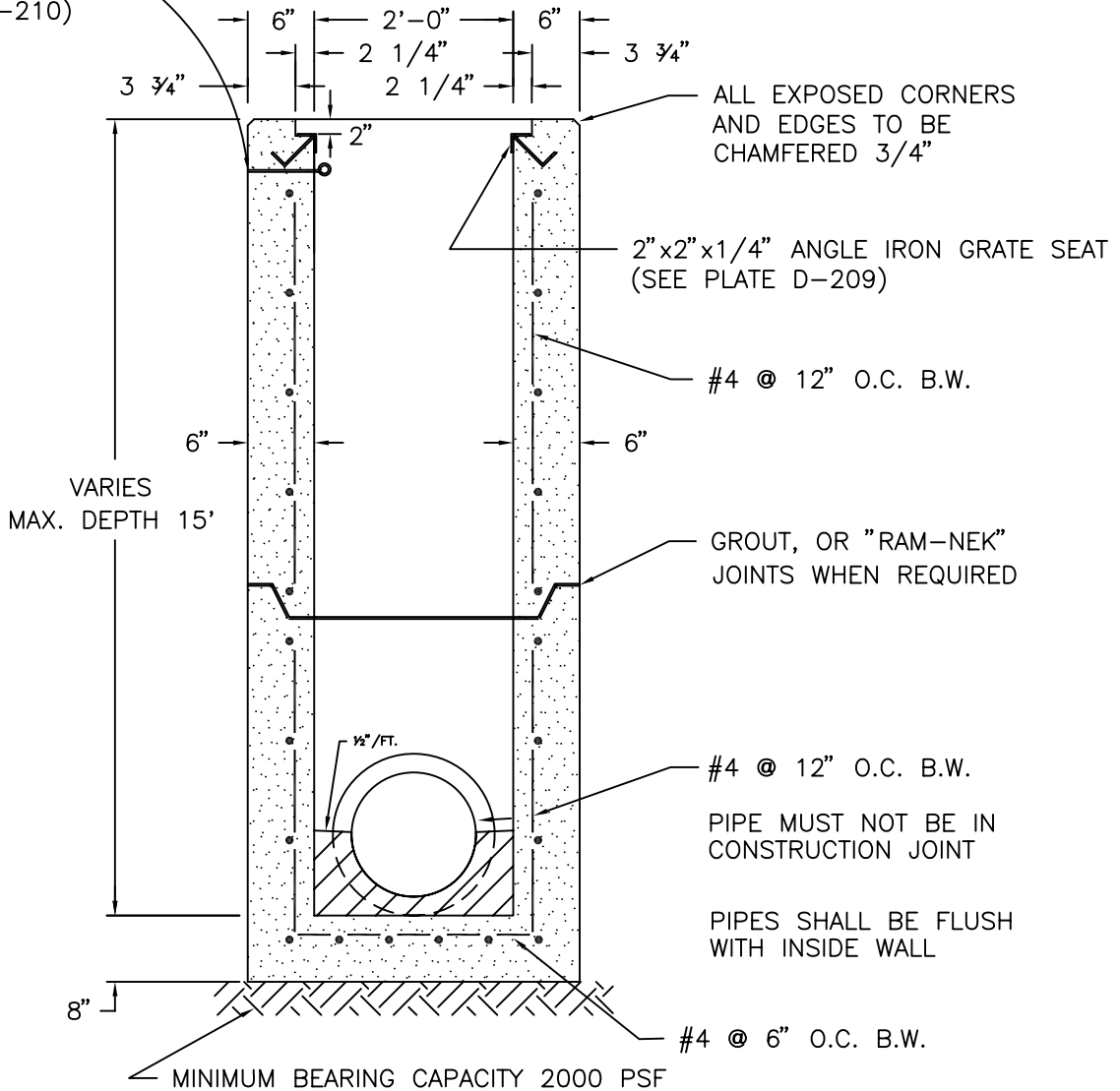


SLOT OPENINGS SHALL NOT BE IN WALLS WITH GRATE SEAT

NOTE: CONC. DESIGN STRENGTH 4000 P.S.I.

EYE BOLTS (SEE PLATE D-210)



ALL EXPOSED CORNERS AND EDGES TO BE CHAMFERED 3/4"

2" x 2" x 1/4" ANGLE IRON GRATE SEAT (SEE PLATE D-209)

#4 @ 12" O.C. B.W.

GROUT, OR "RAM-NEK" JOINTS WHEN REQUIRED

#4 @ 12" O.C. B.W.

PIPE MUST NOT BE IN CONSTRUCTION JOINT

PIPES SHALL BE FLUSH WITH INSIDE WALL

#4 @ 6" O.C. B.W.

MINIMUM BEARING CAPACITY 2000 PSF

STORM SEWER
TYPE "C" INLET

*CITY OF
JACKSONVILLE
STANDARD*

N.T.S.

PLATE D-207

DATE DRAWN 5-19-79

REVISED DATE 5-12-94