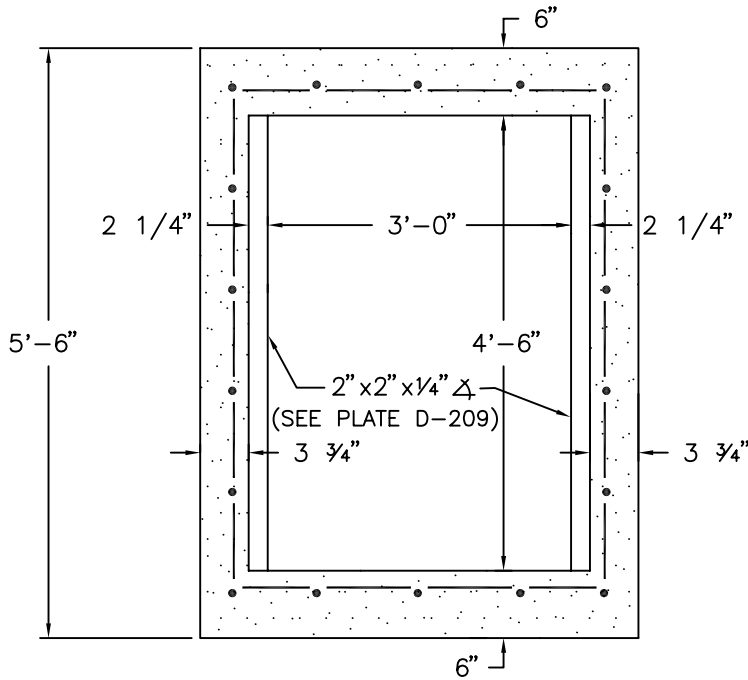


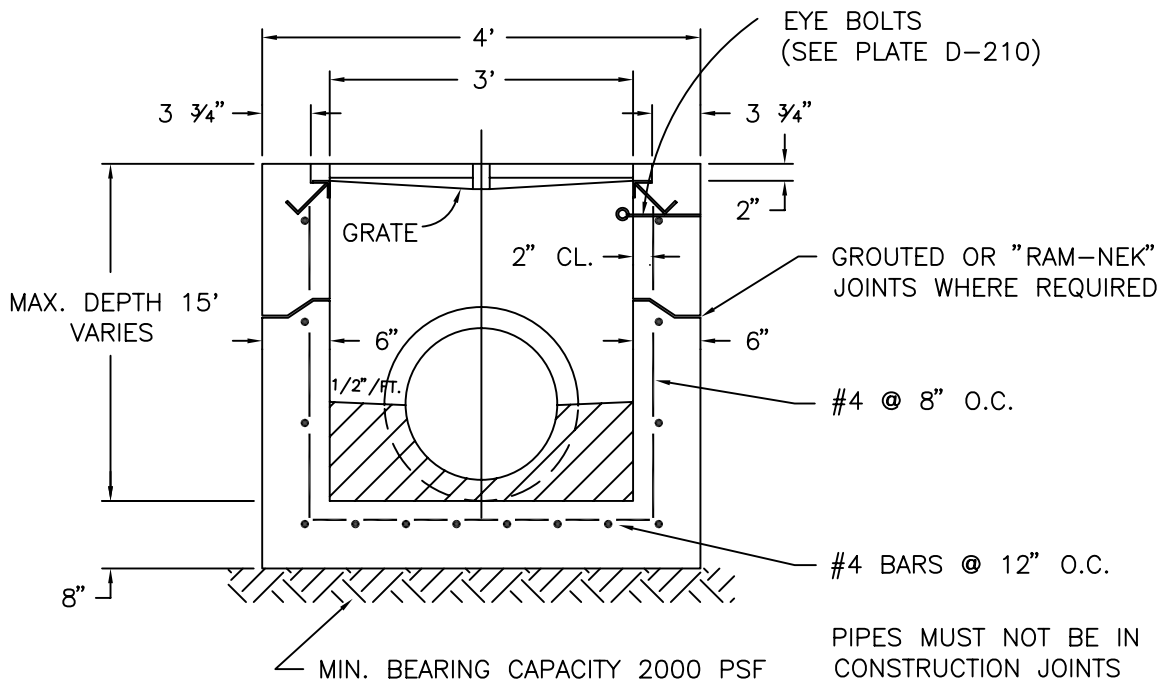
SEE PLATE D-307 FOR GRATE DETAIL



SLOT OPENINGS SHALL NOT BE IN WALLS WITH GRATE SEAT

PLAN

NOTE: CONC. DESIGN STRENGTH 4,000 P.S.I.



SECTION

PIPES MUST NOT BE IN CONSTRUCTION JOINTS

PIPES SHALL BE FLUSH WITH INSIDE WALL

STORM SEWER
TYPE "E" INLET

*CITY OF
JACKSONVILLE
STANDARD*

N.T.S.

PLATE D-208

DATE DRAWN 5-23-79

REVISED DATE 5-12-94