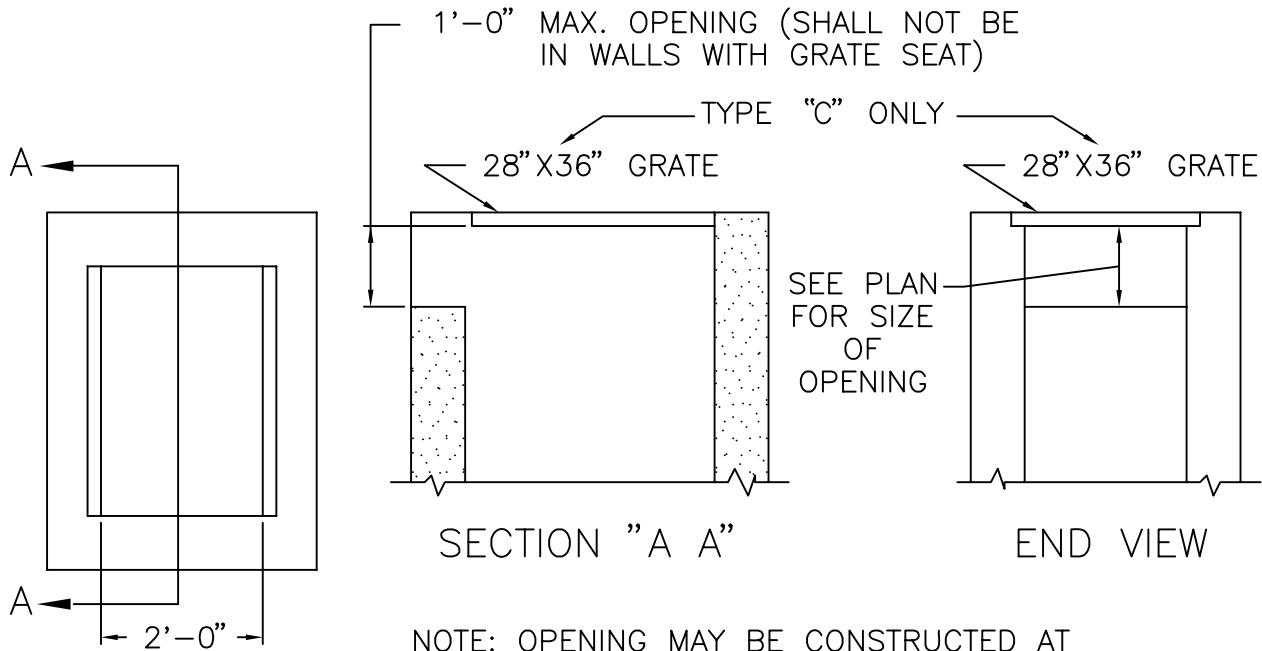


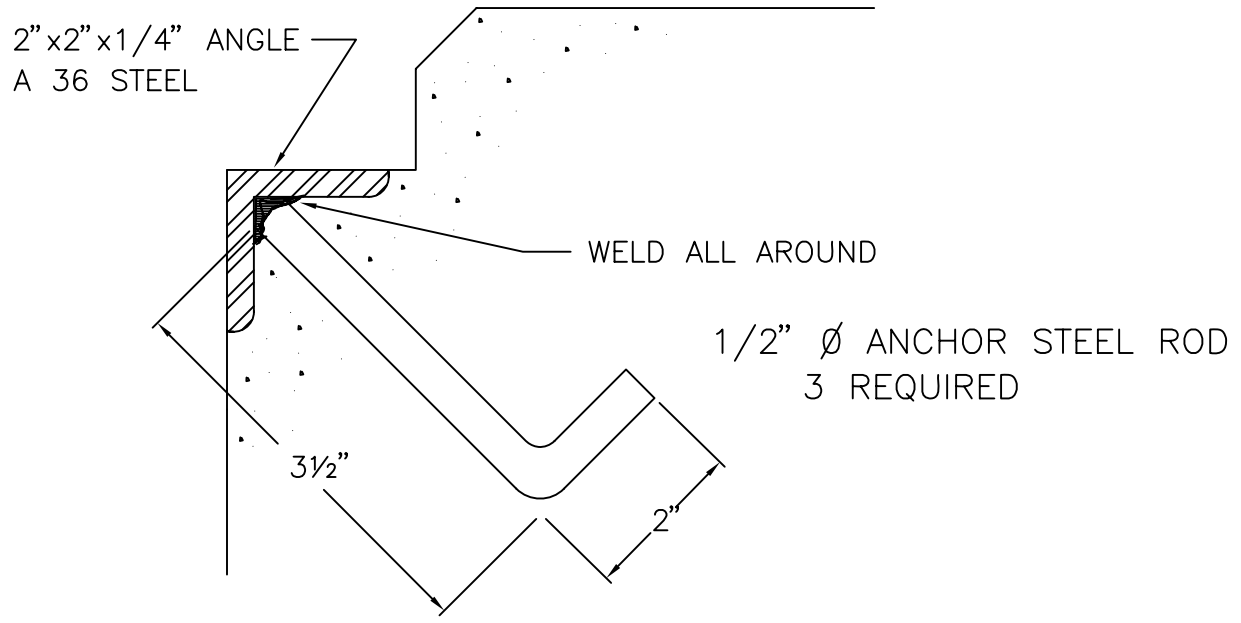
Note:

All Type "C" & "E" inlets with slots deeper than 6" shall be constructed with a horizontal bar(s) maximum spacing 6". 1" diameter Galv. pipe embedded 2" in pre-cast or other approved method.



NOTE: OPENING MAY BE CONSTRUCTED AT EITHER END OR BOTH ENDS AS SHOWN ON PLANS TYPE "C" OR "E"

DETAILS OF OPENINGS IN DITCH BOTTOM INLETS



GRATE SEAT DETAIL

DETAIL FOR TYPE "C & E" INLET	CITY OF JACKSONVILLE STANDARD	N.T.S.	PLATE D-209
		DATE DRAWN	5-24-79
		REVISED DATE	5-12-94