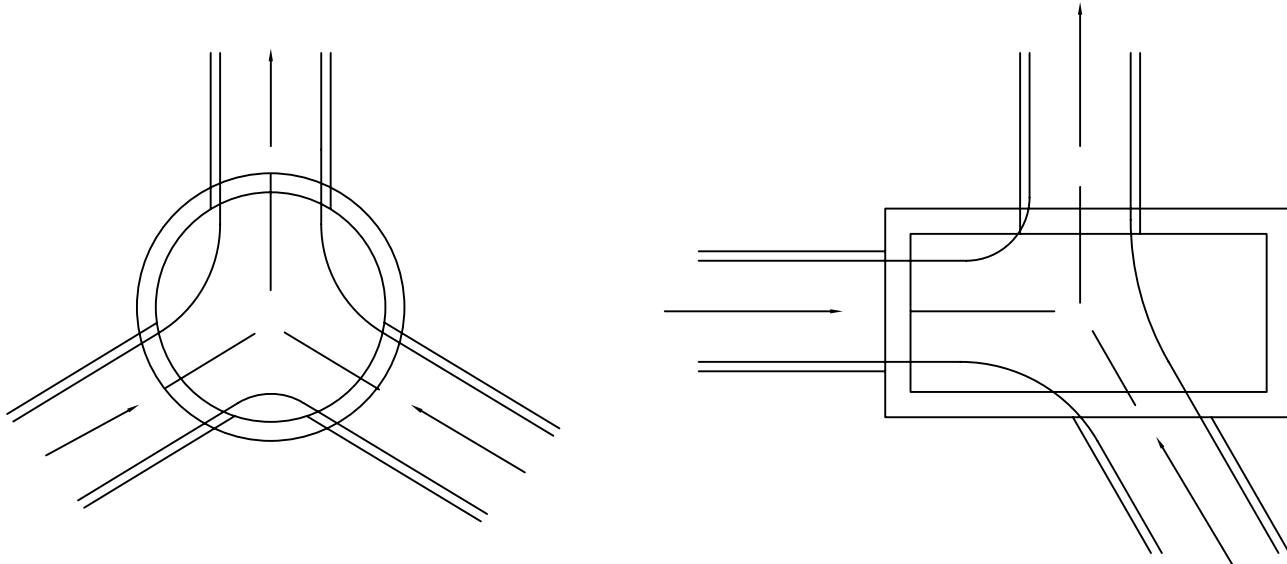


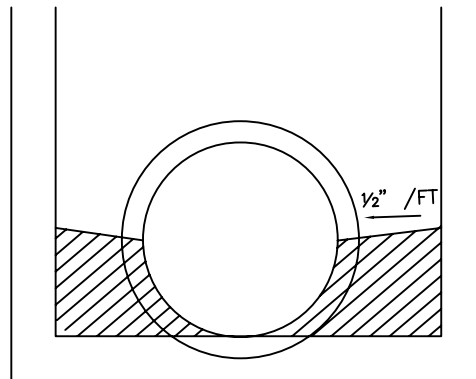
GENERAL NOTE:

MORTAR USED TO SEAL THE PIPE INTO THE WALLS OF PRECAST UNITS WILL BE OF SUCH A MIX THAT SHRINKAGE WILL NOT CAUSE LEAKAGE INTO OR OUT OF THE UNITS. MAXIMUM OPENING FOR PIPE SHALL BE THE O.D. OF THE PIPE REQUIRED PLUS 6".



DETAIL OF CHANNELIZATION

NOTE: CHANNELIZATION REQUIRED AT ALL DRAINAGE STRUCTURES



SMOOTH FLOW CHANNELS COMPOSED OF CONCRETE OR BRICK AND MORTAR SHALL BE CONSTRUCTED ON THE BOTTOMS OF ALL STRUCTURES TO A DEPTH EQUAL TO HALF THE DIAMETER OF THE LARGEST PIPE.

INVERT DETAIL	<i>CITY OF JACKSONVILLE STANDARD</i>	N.T.S.	PLATE D-212
		DATE DRAWN	8-5-1979
		REVISED DATE	5-12-94