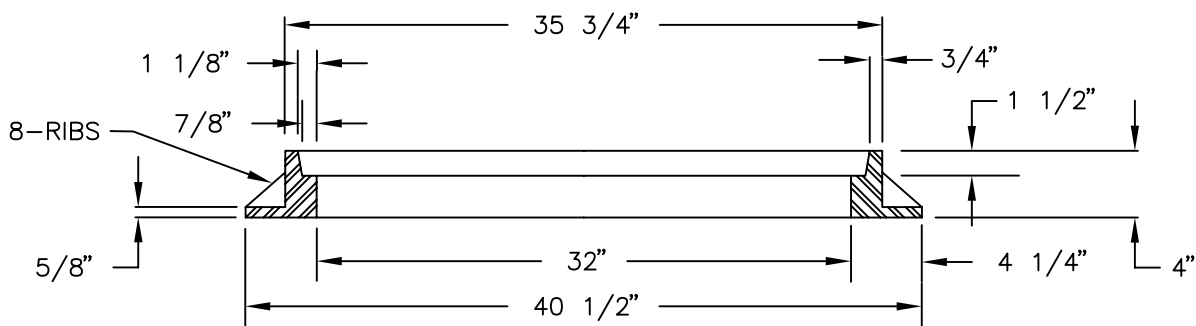
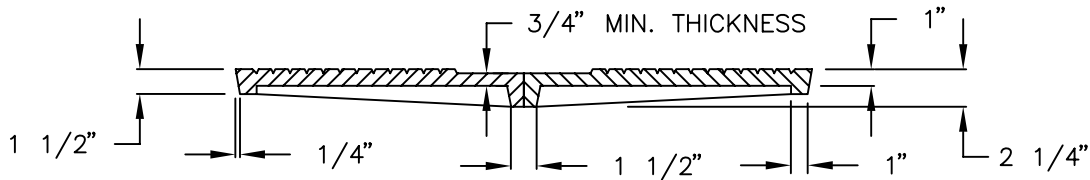
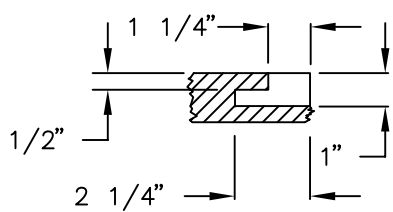


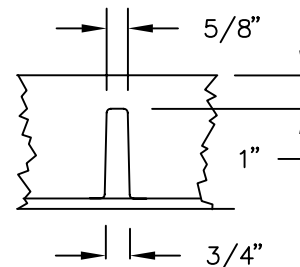
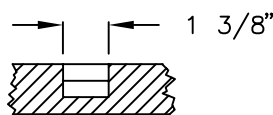
COVER
(265 LBS. ± 5 LBS.)



FRAME
(215 LBS. APPROX.)



PICKHOLE DETAILS



RIB DETAIL

STORM SEWER
MANHOLE COVER
AND FRAME

*CITY OF
JACKSONVILLE
STANDARD*

N.T.S.

PLATE D-301

DATE DRAWN 4-26-89

REVISED DATE 5-12-94