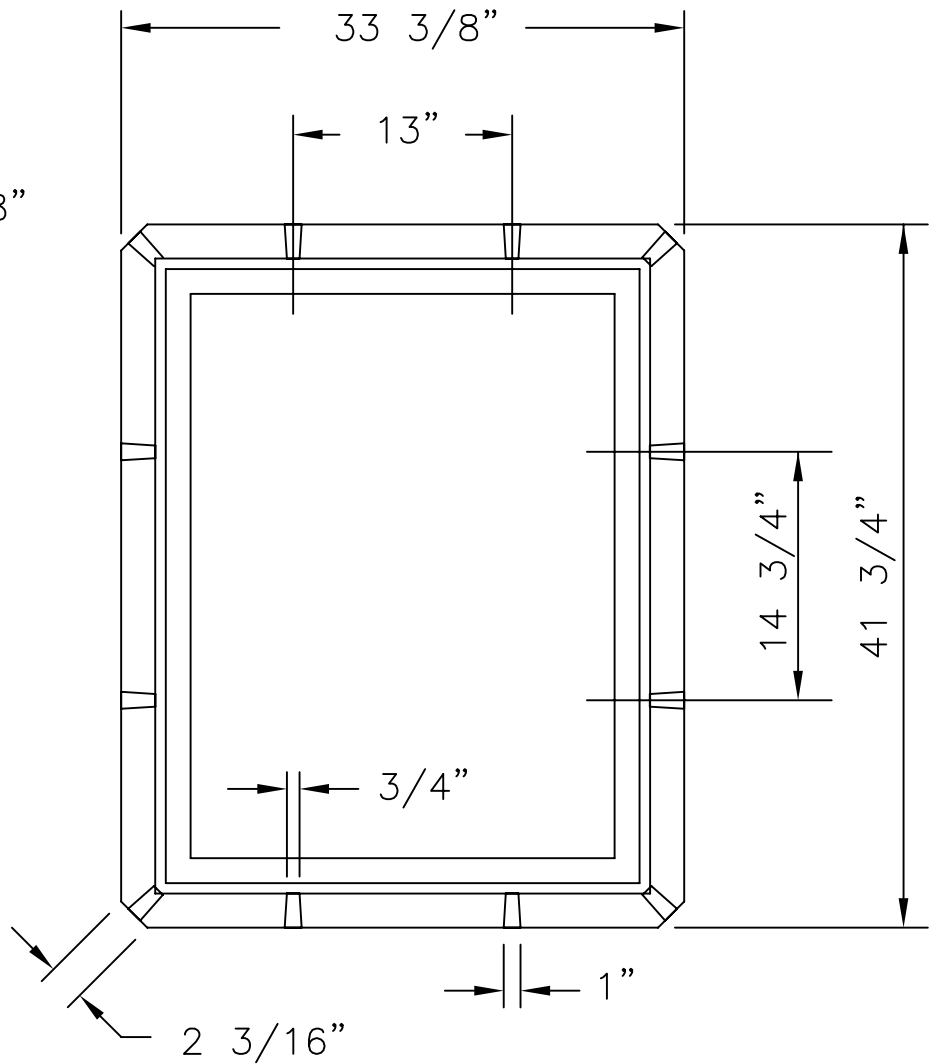
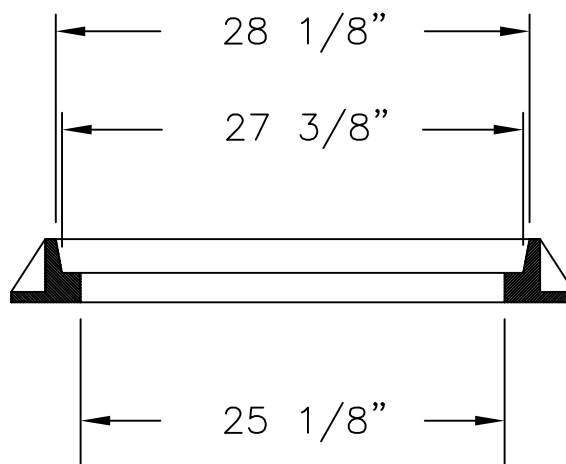


SECTION



PLAN



SECTION

APPROX. 220 LBS.

STORM SEWER
CATCH BASIN
FRAME

*CITY OF
JACKSONVILLE
STANDARD*

N.T.S.

PLATE D-305

DATE DRAWN 3-12-79

REVISED DATE 5-12-94