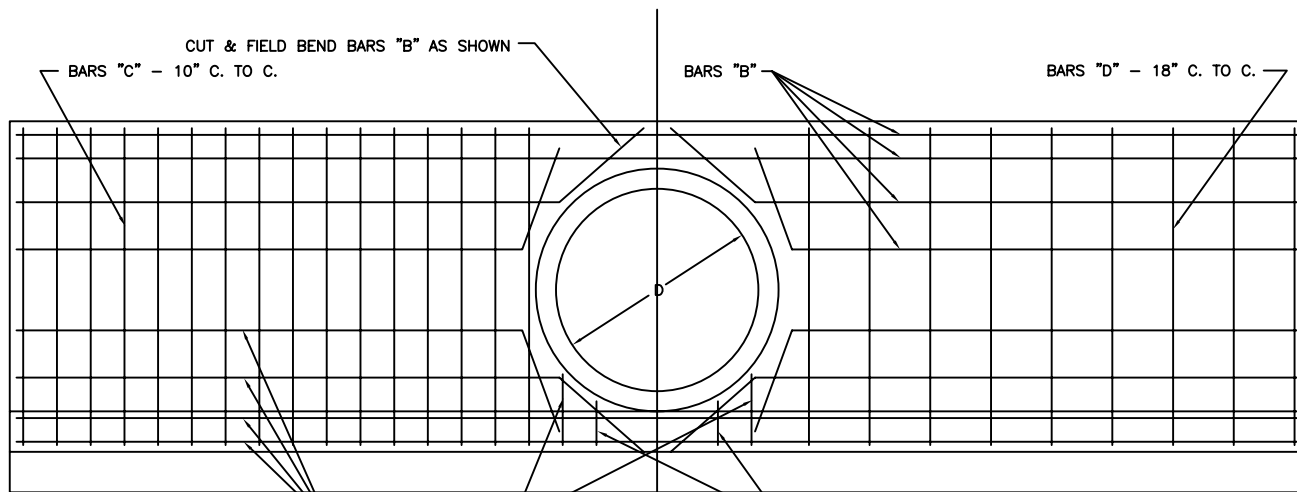
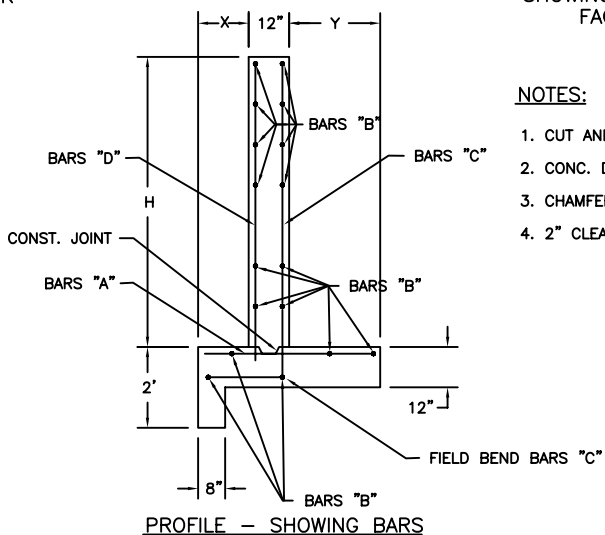


PLAN - SHOWING BARS IN FOOTING



BARS "B"  
 HALF ELEV.  
 SHOWING BARS IN BACK  
 FACE OF WALL

BEARING CAPACITY MIN. 2000 P.S.F.  
 HALF ELEV.  
 SHOWING BARS IN FRONT  
 FACE OF WALL



PROFILE - SHOWING BARS

NOTES:

1. CUT AND FIELD BEND BARS "B" AS SHOWN.
2. CONC. DESIGN STRENGTH 3000 P.S.I.
3. CHAMFER ALL EXPOSED EDGES 3/4".
4. 2" CLEARANCE ON ALL BARS.

STRAIGHT ENDWALL  
 FOR 60"-78" CONC.  
 PIPE CULVERTS

*CITY OF  
 JACKSONVILLE  
 STANDARD*

N.T.S.

PLATE D-406

DATE DRAWN 5-8-79

REVISED DATE 5-12-94