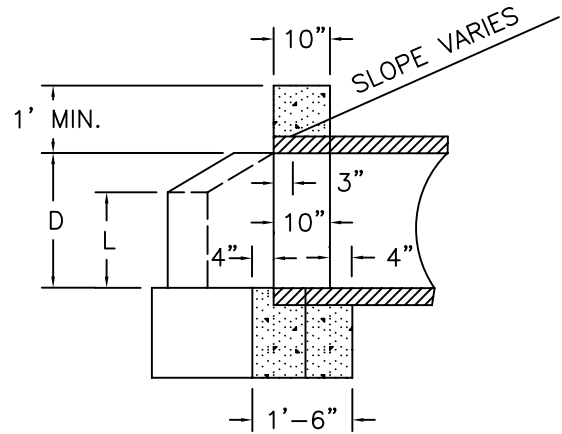


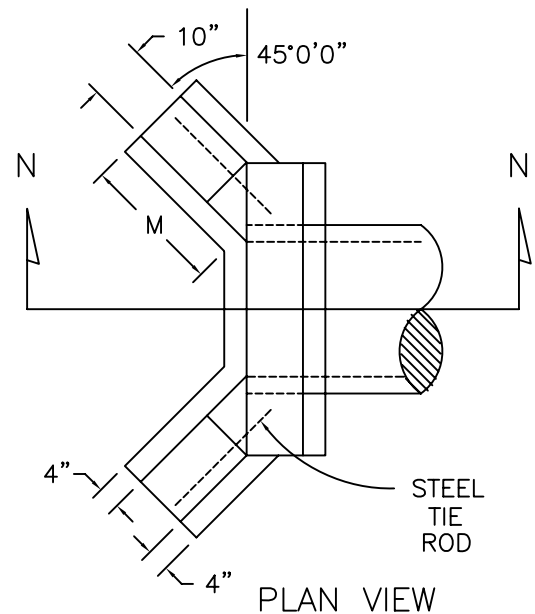
FRONT ELEVATION



SECTION N-N

NOTE:

1. CHAMFER ALL EXPOSED EDGES 3/4" MIN. BEARING CAPACITY 2000 P.S.I.
2. WHERE TIE RODS ARE REQUIRED, THE COST OF SAME SHALL BE INCLUDED IN THE UNIT BID PRICE BID.
3. CONCRETE DESIGN STRENGTH 3000 P.S.I.



PLAN VIEW

DIMENSIONS							QUANTITIES IN ONE ENDWALL			
OPENING		WALL			FOOTING	CONCRETE 3,000 P.S.I.			STEEL	
D	AREA SQ.FT.	H	G	L	M	F	TOTAL CU. YARDS			TIE RODS
							CONC.PIPE	C.M.PIPE	C.I.PIPE	
15"	1.2	2'-3"	3'-7"	1'-0"	1'-3"	1'-3"	0.58	0.61	0.61	NONE
18"	1.8	2'-6"	3'-10"	1'-2"	1'-7"	1'-3"	0.76	0.79	0.79	NONE
24"	3.1	3'-0"	4'-4"	1'-5"	2'-1"	1'-4"	1.03	1.08	1.08	2-3/4"φ x 2'-0"
30"	4.9	3'-6"	4'-10"	1'-9"	2'-5"	1'-6"	1.34	1.42	1.41	2-3/4"φ x 2'-0"
36"	7.1	4'-0"	5'-4"	2'-0"	2'-11"	1'-8"	1.74	1.85	1.84	2-3/4"φ x 3'-0"
42"	9.6	4'-6"	5'-10"	2'-3"	3'-5"	2'-0"	2.36	2.49		2-3/4"φ x 3'-0"
48"	12.6	5'-0"	6'-4"	2'-6"	4'-0"	2'-0"	2.76	2.92		2-3/4"φ x 3'-0"

CONCRETE ENDWALL
WITH 45° WINGS
FOR PIPE CULVERTS

*CITY OF
JACKSONVILLE
STANDARD*

N.T.S.

PLATE D-408

DATE DRAWN 7-12-79

REVISED DATE 5-12-94