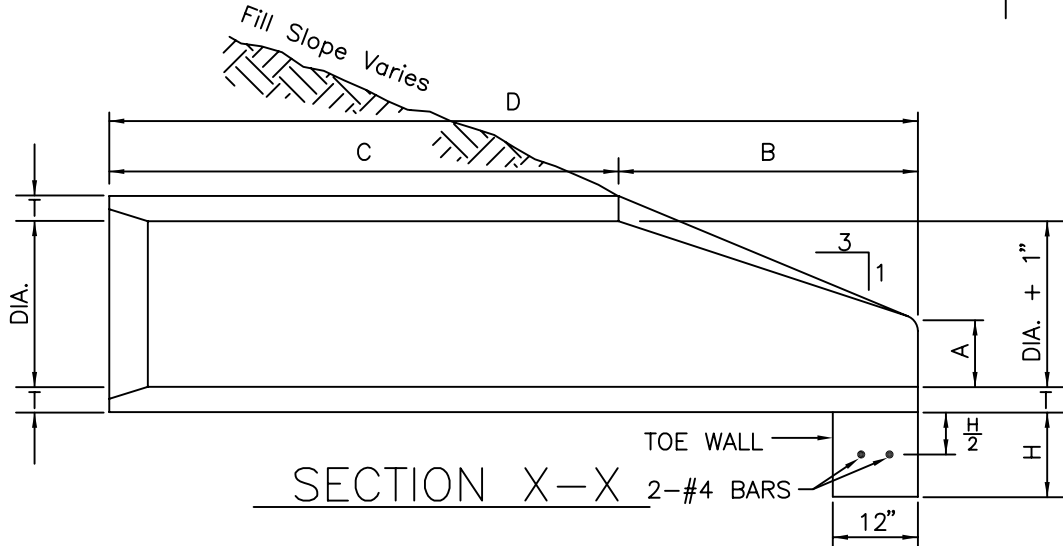
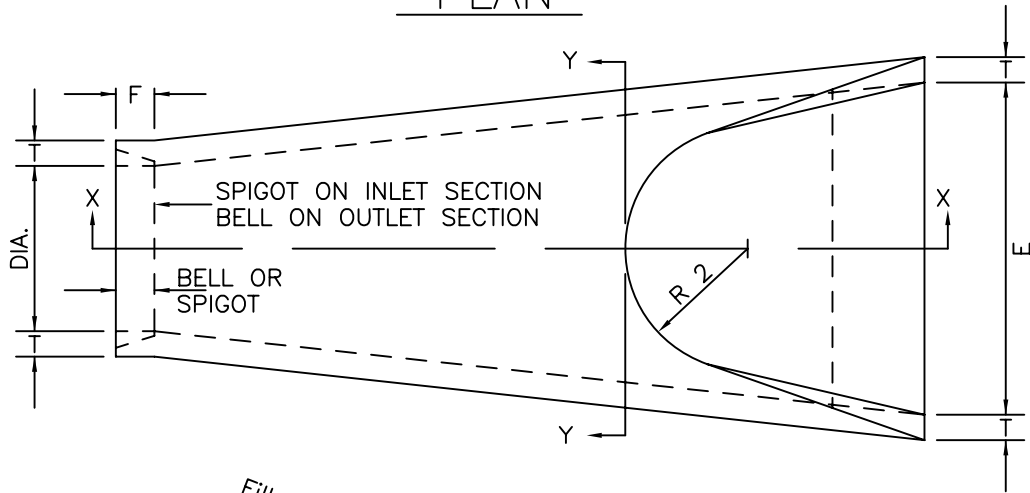
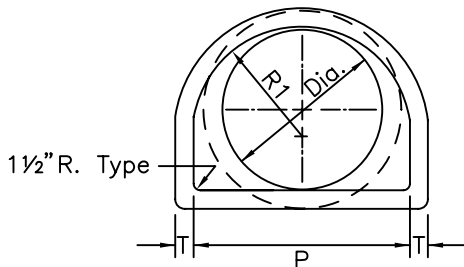


# PLAN



# SECTION Y-Y



### GENERAL NOTES

1. End sections shall conform to standard strength reinforced concrete pipe of like diameter as per Standard Specifications.
2. Joint between end section & pipe culvert to be made by reinforced concrete collar or cold adhesive preformed plastic casket.
3. End sections to be used only when specified on the plans or at locations as directed by the Engineer.
4. Toe wall to be constructed when shown on the plans or designated by the Engineer.

DIA.	T	BELL Or SPIGOT	A	B	C	D	E	P	R 1	R 2	F	H	WEIGHT (LBS.)
15"	2 1/4"	2"	6"	2'-3"	3'-10"	6'-1"	2'-6"	24 5/16"	12 1/2"	11"	3 1/2"	12"	740
18"	2 1/2"	2 1/2"	9"	2'-3"	3'-10"	6'-1"	3'-0"	29"	15 1/2"	12"	4"	15"	990
24"	3"	2 1/2"	9 1/2"	3'-7 1/2"	2'-6"	6'-1 1/2"	4'-0"	33 7/16"	16 1 3/16"	14"	4 1/2"	18"	1520
30"	3 1/2"	3"	1'-0"	4'-6"	1'-7 3/4"	6'-1 3/4"	5'-0"	37"	18 1/2"	15"	5"	21"	2190
36"	4"	3 1/2"	1'-3"	5'-3"	2'-10 3/4"	8'-1 3/4"	6'-0"	47 1 3/16"	24 9/16"	20"	5 1/2"	21"	4100
42"	4 1/2"	3 3/4"	1'-9"	5'-3"	2'-11"	8'-2"	6'-6"	53 3/8"	27 1/2"	22"	5 1/2"	24"	5380
48"	5"	4 1/4"	2'-0"	6'-0"	2'-2"	8'-2"	7'-0"	56 1/2"	28 1/2"	22"	5 3/4"	24"	6550
54"	5 1/2"	4 3/4"	2'-3"	5'-5"	2'-11"	8'-4"	7'-6"	65 1/2"	33 3/8"	24"	6 1/4"	24"	8040
60"	6"	5"	2'-6"	5'-0"	3'-3"	8'-3"	8'-0"	72 1/2"	36 1 1/16"	24"	6 3/4"	24"	8750
66"	6 1/2"	5 1/2"	2'-0"	6'-6"	1'-9"	8'-3"	8'-6"	72"	36 3/8"	24"	7 1/4"	24"	10630
72"	7"	6"	2'-0"	6'-6"	1'-9"	8'-3"	9'-0"	77 1 3/16"	38 1 9/16"	24"	7 3/4"	24"	12520

FLARED END  
SECTION FOR  
PIPE CULVERTS

*CITY OF  
JACKSONVILLE  
STANDARD*

N. T. S.

PLATE D-410

DATE DRAWN

2-5-79

REVISED DATE

5-12-94