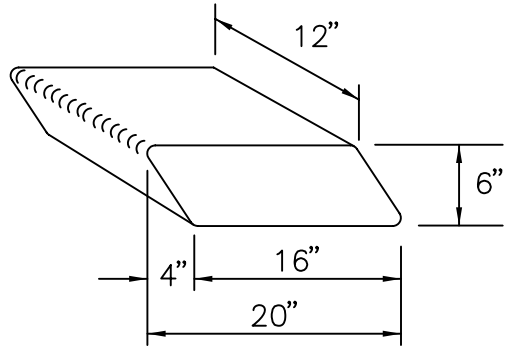
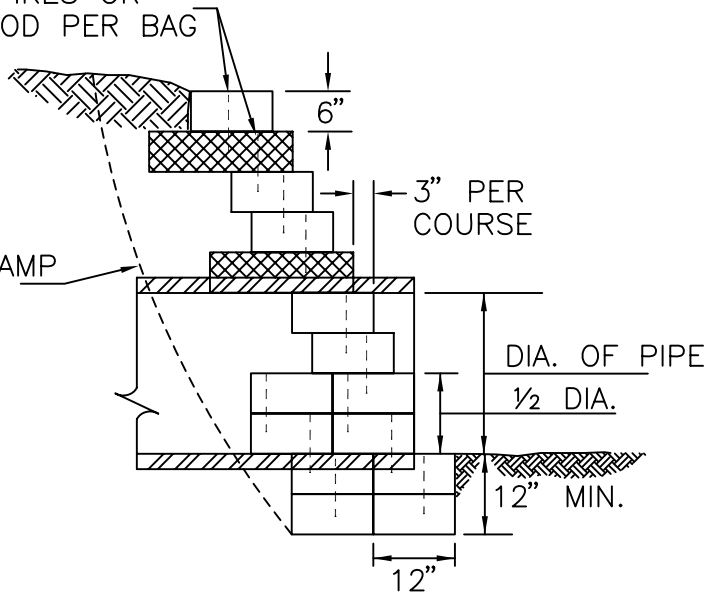


2-10" - 3/8 GAUGE SPIKES OR  
2-12" - #3 REINF. ROD PER BAG  
TYPICAL

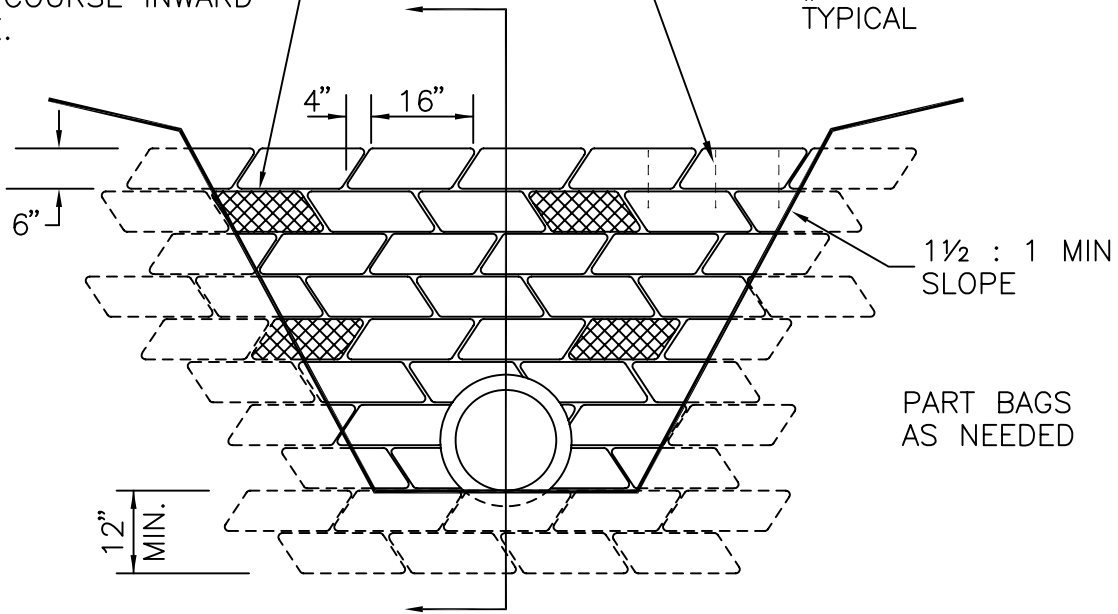


COUNTERSINK ALL EXPOSED  
SPIKES OR REINF. RODS 1"

BAG DETAIL

TURN EVERY THIRD BAG OF  
EVERY THIRD COURSE INWARD  
TOWARD BANK.

2-10" - 3/8 GAUGE SPIKES OR  
2-12" - #3 REINF. ROD PER BAG  
TYPICAL



SAND - CEMENT  
RIP RAP  
ENDWALL

*CITY OF  
JACKSONVILLE  
STANDARD*

N.T.S.

PLATE D-411

DATE DRAWN

3-18-79

REVISED DATE

5-12-94