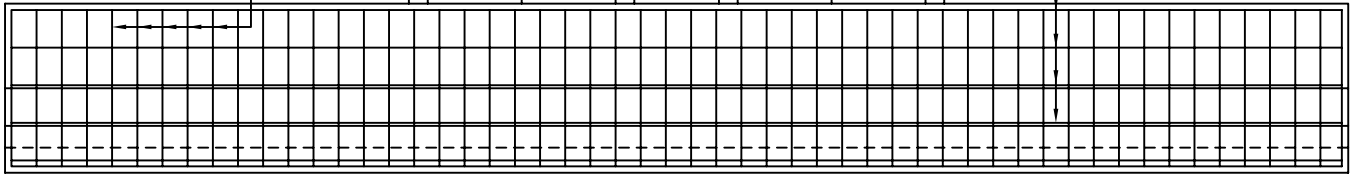
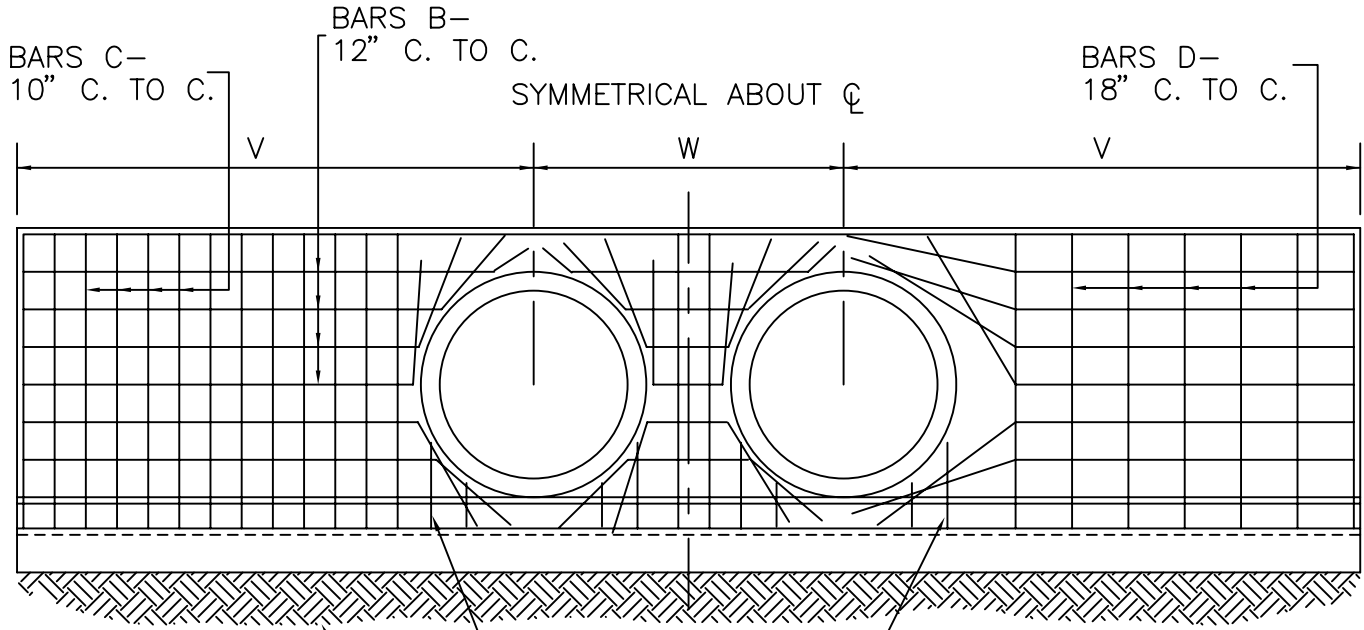


BARS A—
8" C. TO C.

BARS B—
12" C. TO C.



PLAN SHOWING BARS IN FOOTING

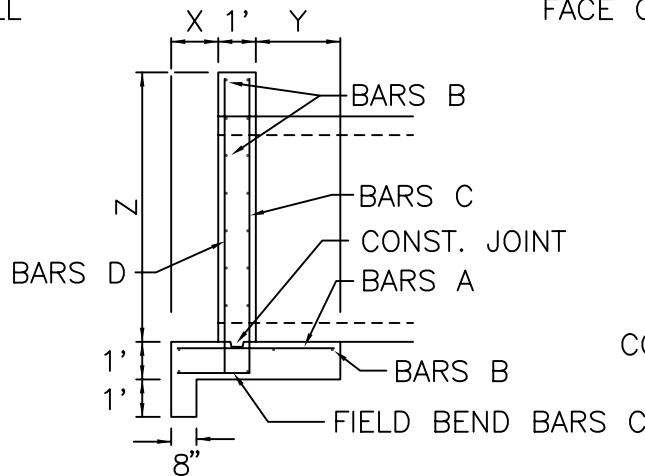


MIN. BEARING CAP.
2000 P.S.F.

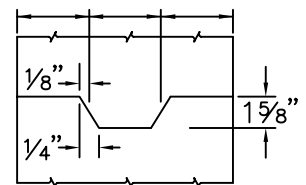
HALF ELEV.
SHOWING BARS IN BACK
FACE OF WALL

HALF ELEV.
SHOWING BARS IN FRONT
FACE OF WALL

- NOTES:
- 1) CUT & FIELD BEND BARS B AS SHOWN.
 - 2) CONC. DESIGN STRENGTH 3000 PSI.
 - 3) CHAMFER ALL EXPOSED EDGES $\frac{3}{4}$ ".
 - 4) 2" CLEARANCE ON ALL BARS.



PROFILE
SHOWING BARS



CONST. JOINT DETAIL

CONC. ENDWALL FOR
MULTIPLE 60" - 78"
ROUND PIPES

*CITY OF
JACKSONVILLE
STANDARD*

N.T.S.

PLATE D-412

DATE DRAWN 1-26-79

REVISED DATE 5-12-94