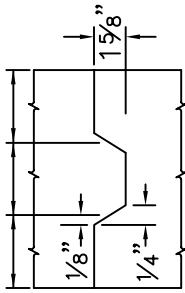
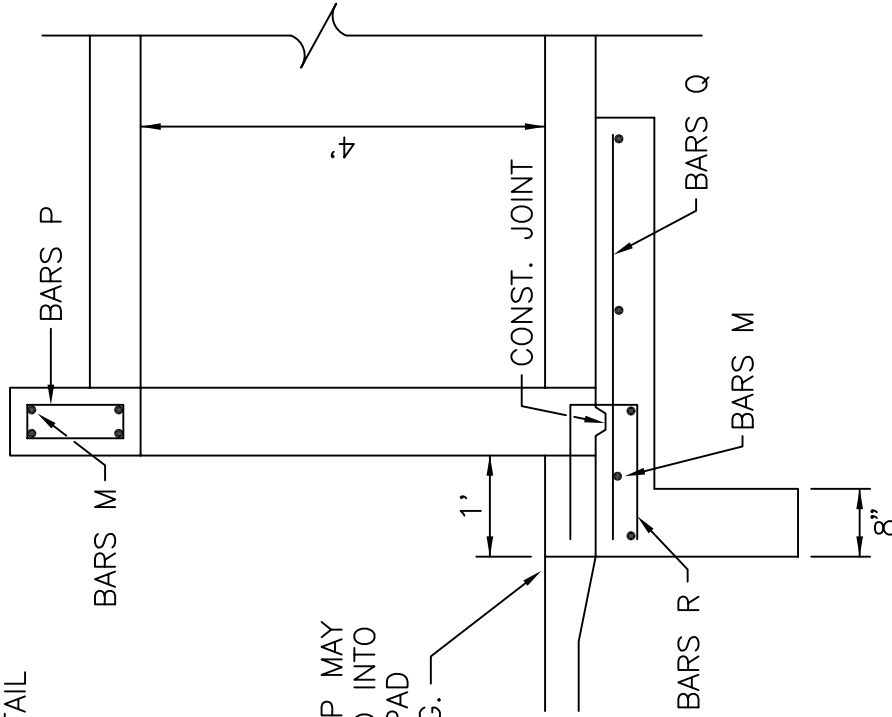


EQUAL SPACES

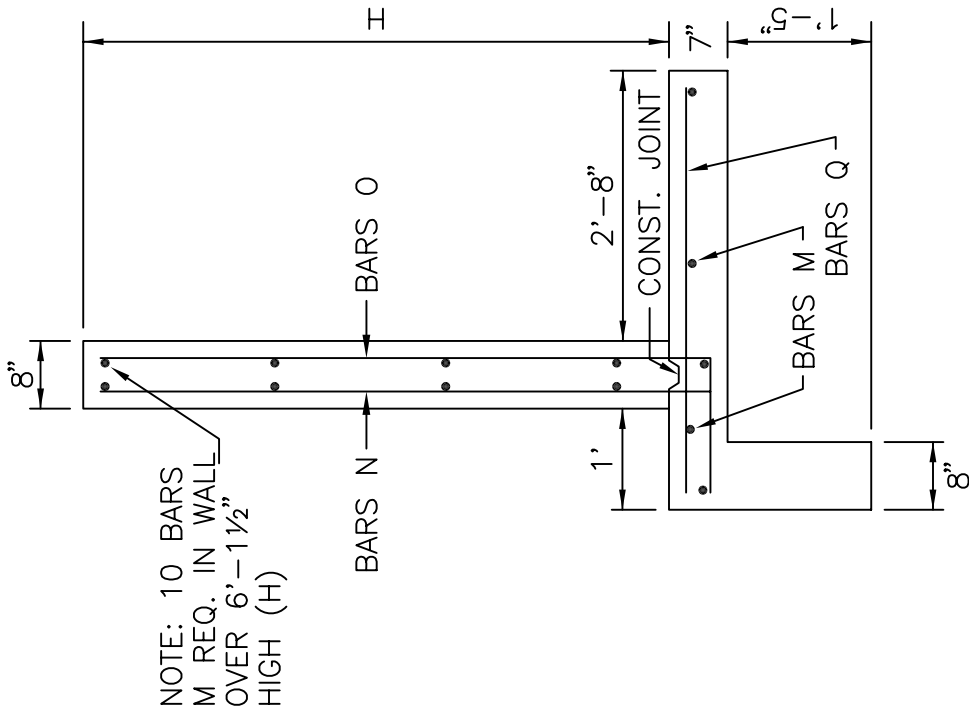


CONST. JOINT DETAIL



NOTE: CONC. CAP MAY BE TRANSITIONED INTO CONC. SPLASH PAD OR DITCH PAVING.

HALF SECTION  
THRU BOX



NOTE: 10 BARS M REQ. IN WALL OVER 6'-1 1/2" HIGH (H)

SECTION THRU WING

SECTIONS OF ENDWALL FOR 4' HIGH SINGLE, DOUBLE, & TRIPLE PRECAST CULVERTS

CITY OF JACKSONVILLE STANDARD

N.T.S.

PLATE D-417

DATE DRAWN

4-5-79

REVISED DATE

5-12-94