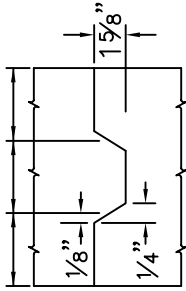
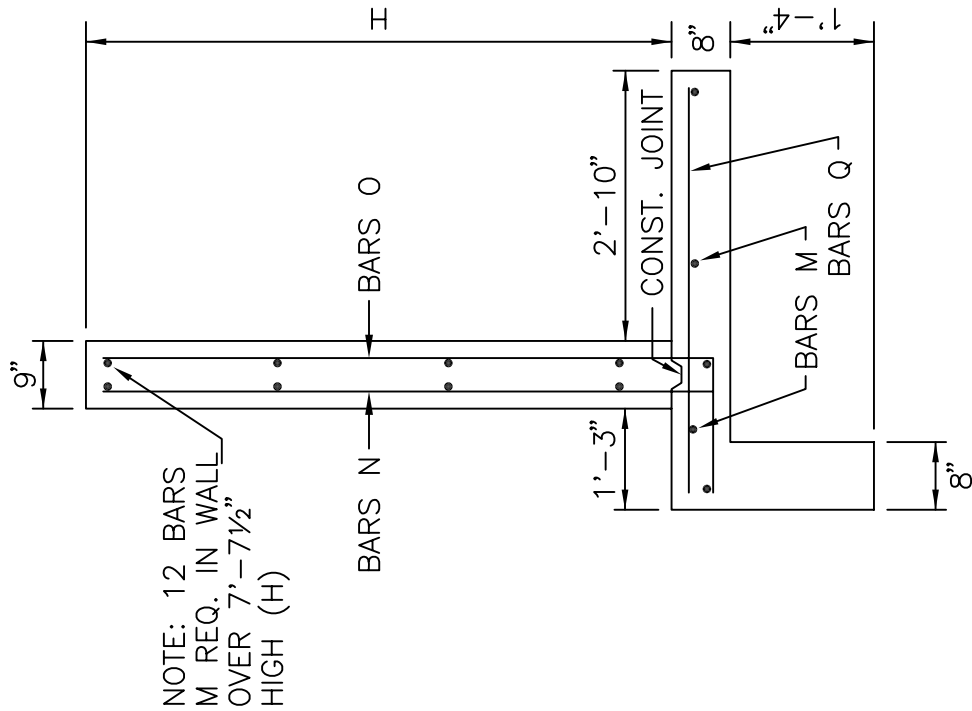


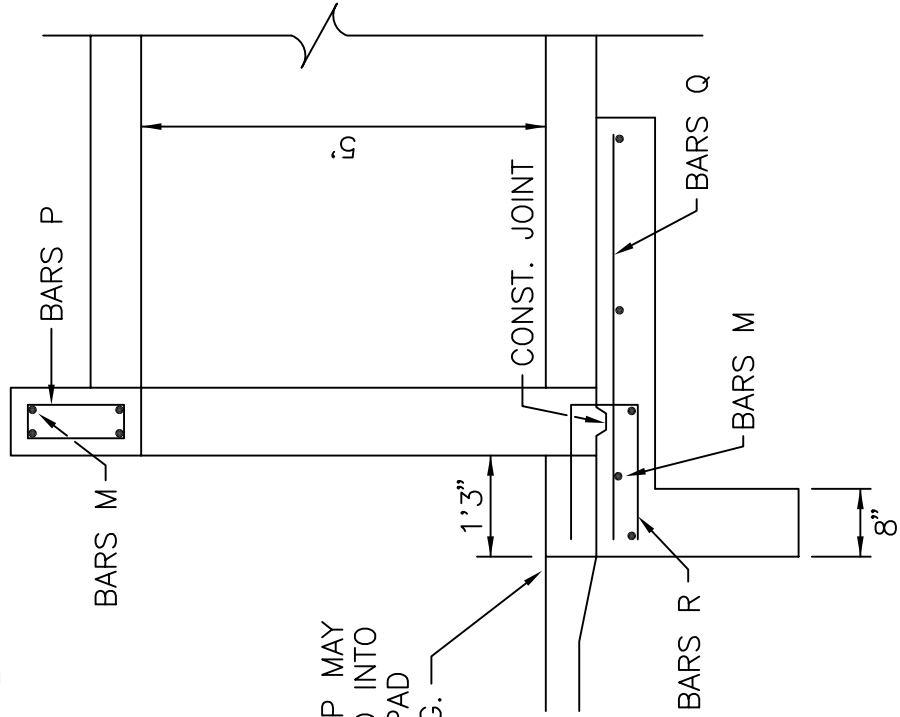
EQUAL SPACES



CONST. JOINT DETAIL



SECTION THRU WING



HALF SECTION THRU BOX

SECTIONS OF ENDWALL FOR 5' HIGH SINGLE, DOUBLE, & TRIPLE PRECAST CULVERTS

CITY OF JACKSONVILLE STANDARD

N.T.S.

PLATE D-418

DATE DRAWN

2-27-79

REVISED DATE

5-12-94