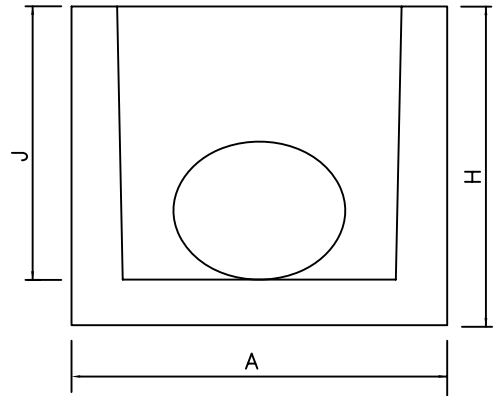
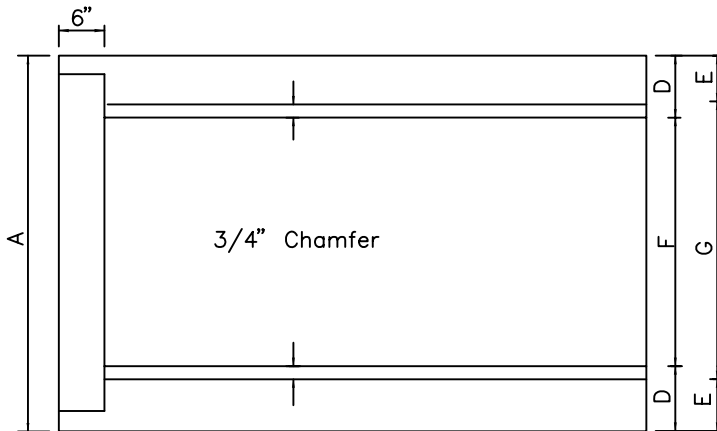


SIDE VIEW



END VIEW



TOP VIEW

SPECIFICATIONS:

1. Steel - #4 @ 12" E.W., with 1 #6 over pipe opening. (1/2" of concrete cover over steel, 1/2" tolerance.)
2. 4,000 P.S.I. concrete

ERCPC	CMPA	A	B	C	D	E	F	G	H	J	K	L	M	N
12" x 18"	13" x 17"	2'-7"	18 x 24	2 1/2"	6 1/2"	6"	1'-6"	1'-7"	2'-4"	1'-10"	8"	6"	4'-8"	4'-9 3/4"
14" x 23"	15" x 21"	3'-0"	21 x 30	2 3/4"	6 1/2"	6"	1'-11"	2'-0"	2'-7"	2'-1"	8"	6"	5'-8"	5'-10 1/4"
19" x 30"	20" x 28"	3'-8"	27 x 38	3 1/4"	6 1/2"	6"	2'-7"	2'-8"	3'-0"	2'-6"	8"	6"	7'-4"	7'-6 3/4"

PRECAST MITERED END FOR ELLIPTICAL DRIVEWAY CULVERTS	<i>CITY OF JACKSONVILLE STANDARD</i>		N.T.S.	PLATE D-430
			DATE DRAWN	07-12-79
			REVISED DATE	5-12-94