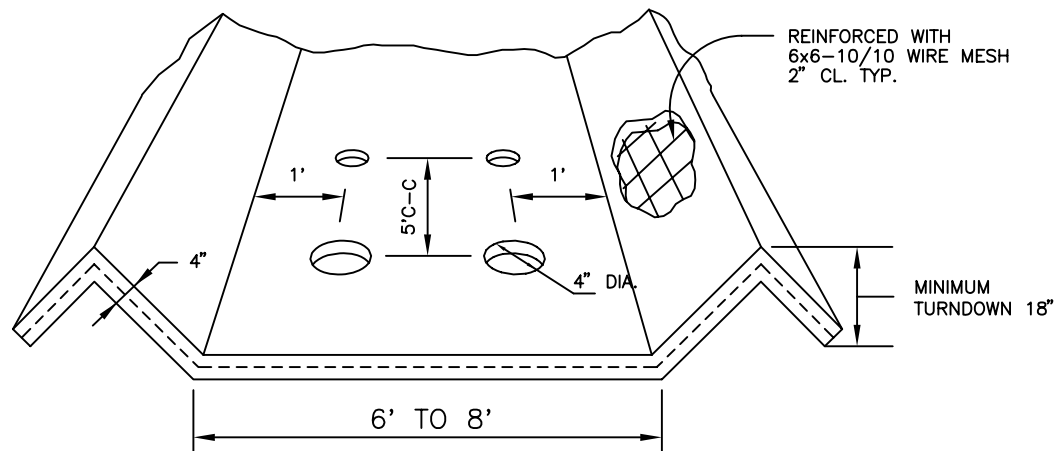
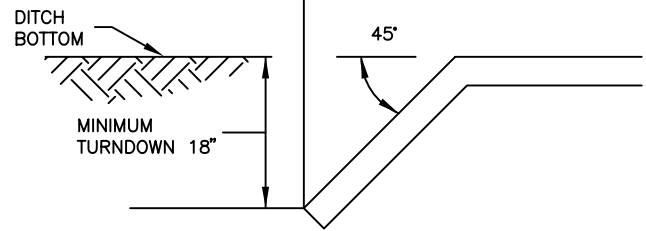
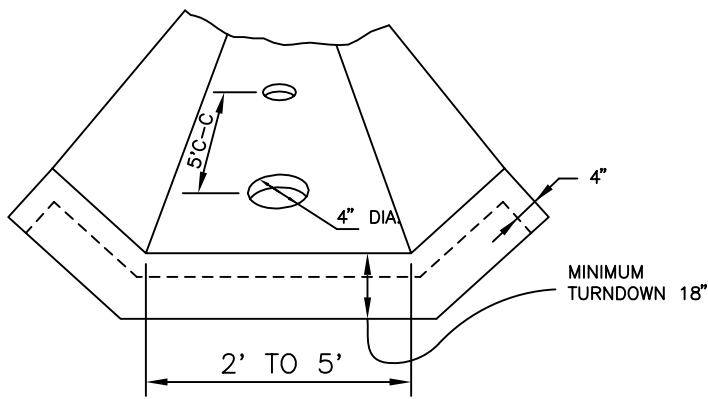
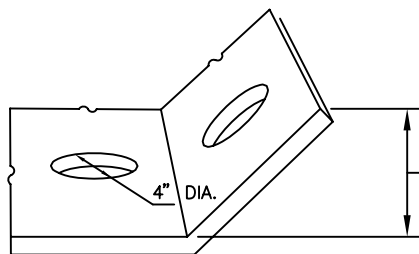


TOP OF BANK



DITCH PAV'T. SECTION



WHEN VERTICAL HEIGHT IS GREATER THAN 3' CONST. WEEP HOLES HALFWAY UP THE SIDE IN LINE WITH BOTTOM WEEP HOLES.

NOTES:

- 1) JOINTS SHALL BE OF EITHER THE OPEN TYPE OR THE TOOLED (DUMMY) TYPE AND NOT SPACED MORE THAN 10 FT. APART.
- 2) CONC. DESIGN STRENGTH 2500 P.S.I. MIN.
- 3) ONE CU.FT. OF #67 COARSE AGGREGATE AND 1/4" GALV. HARDWARE CLOTH BETWEEN GRAVEL AND UNDERSIDE OF THE DITCH PAV'T. TO BE PLACED BENEATH EACH WEEP HOLE.
- 4) WEEP HOLE ARRANGEMENT MAY BE MODIFIED OR ADDITIONAL WEEP HOLES REQUIRED AT THE DIRECTION OF THE ENGINEER.

CONC. DITCH PAVING
AND WEEP HOLE
ARRANGEMENT

*CITY OF
JACKSONVILLE
STANDARD*

N.T.S.

PLATE D-501

DATE DRAWN 7-14-79

REVISED DATE 5-12-94