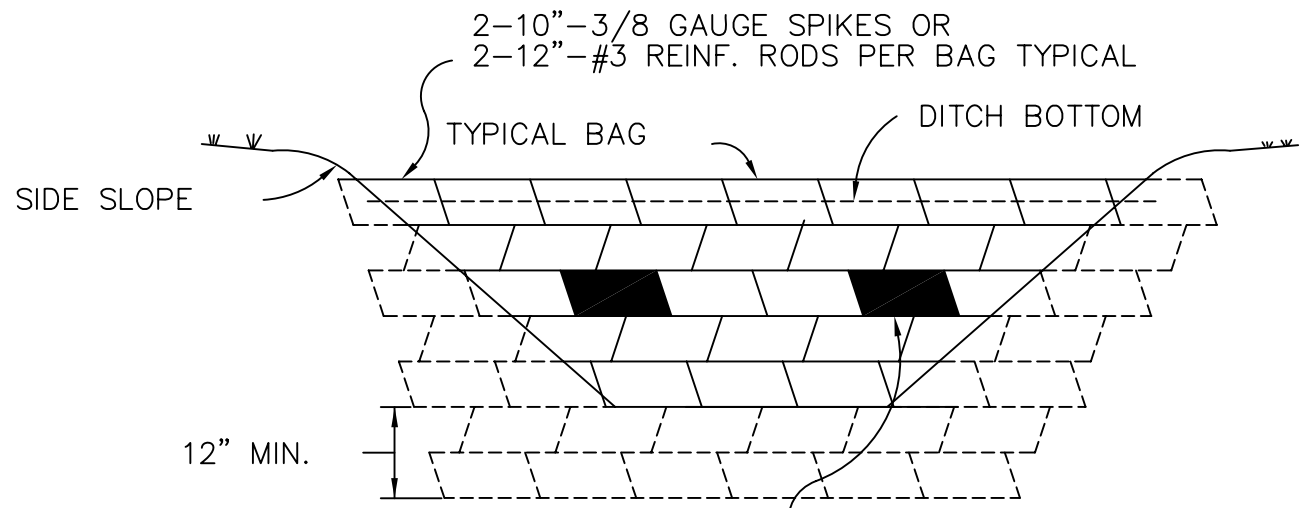


COUNTERSINK ALL EXPOSED SPIKES OR REINF. RODS 1"

BAG DETAIL



TURN EVERY THIRD BAG OF EVERY THIRD COURSE INWARD TOWARD BANK

TEMPORARY SAND-CEMENT RIP RAP CHECK DAM

*CITY OF JACKSONVILLE STANDARD*

N.T.S.	PLATE D-601
DATE DRAWN	2-10-79
REVISED DATE	5-12-94