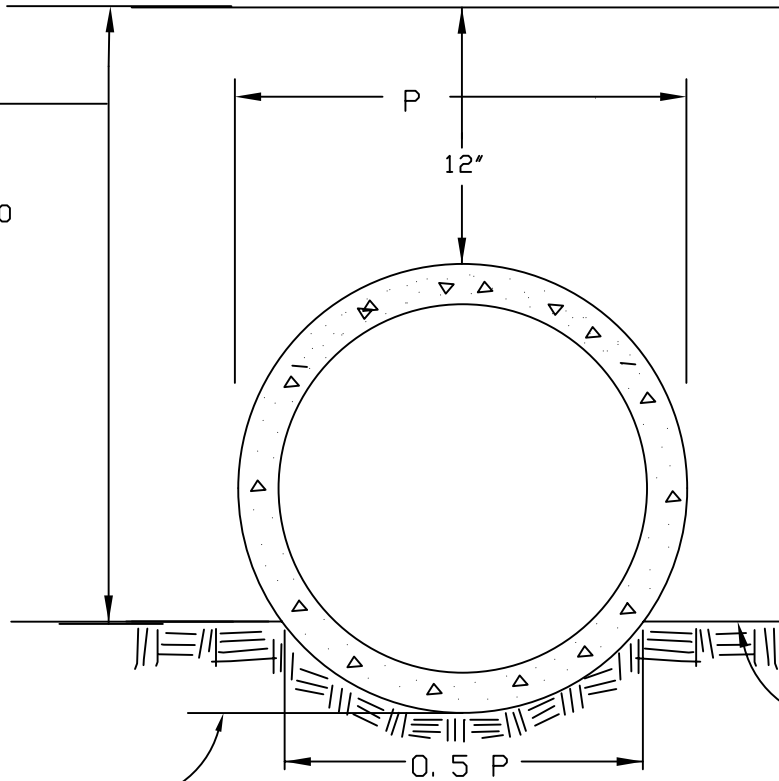


ALL FILL TO
BE COMPACTED
TO MIN. 98%
MAX. DENSITY
PER AASHTO T180



SHAPE TO SUPPORT
PIPE WITH EXTRA
CUT AT BELL

ACCEPTABLE EXISTING
FIRM UNDISTURBED
MATERIAL.

EACH LIFT TO BE COMPLETELY COMPACTED
TO REQUIRED DENSITY BEFORE STARTING
NEXT LIFT NO LIFT TO EXCEED 6" WHEN
COMPACTED.

PIPE BEDDING
CASE 1

*CITY OF
JACKSONVILLE
STANDARD*

N.T.S.

PLATE D-801

DATE DRAWN 8-5-79

REVISED DATE 5-12-94