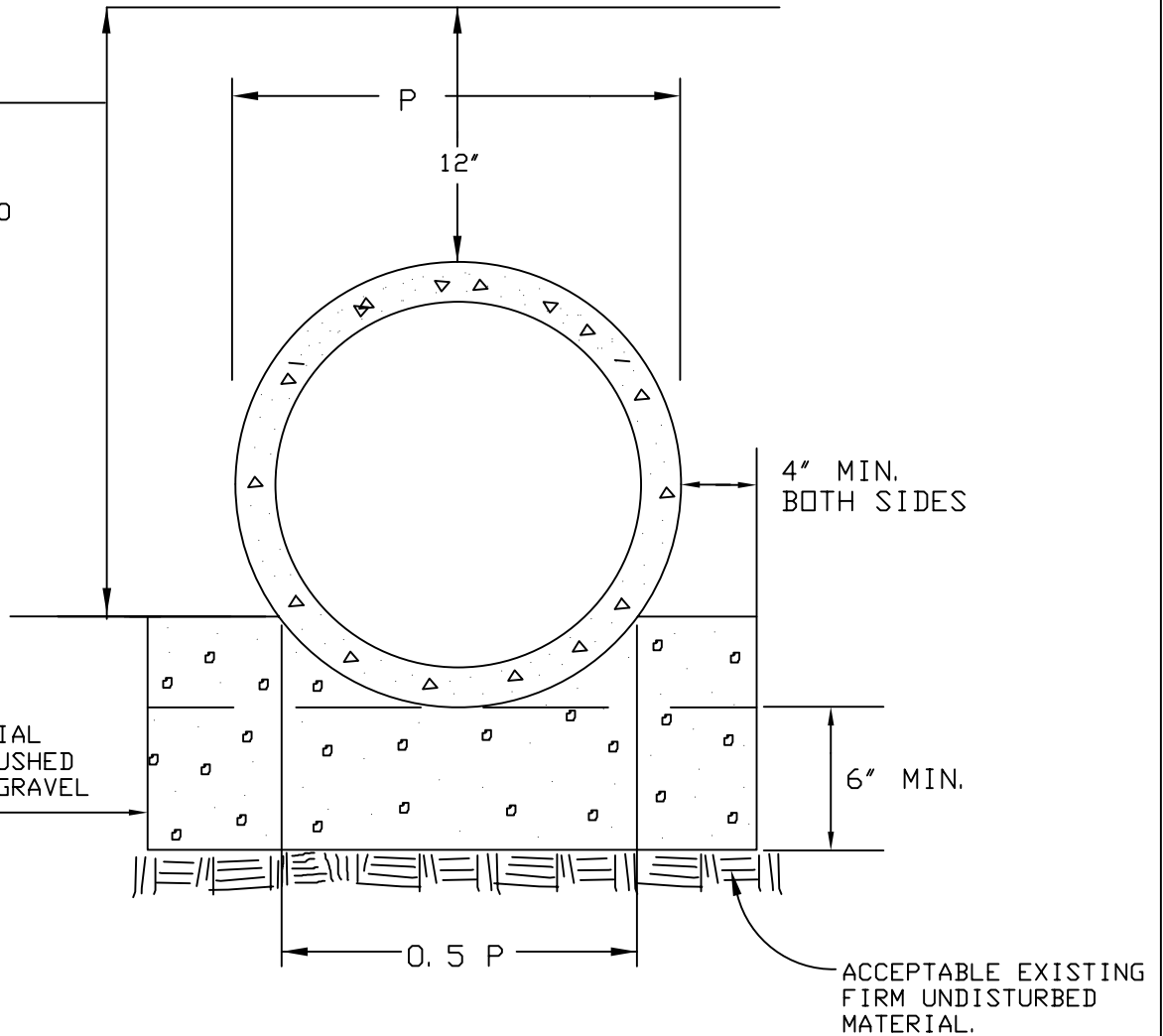


ALL FILL TO BE COMPACTED TO MIN. 98% MAX. DENSITY PER AASHTO T180

BEDDING MATERIAL TO INCLUDE CRUSHED STONE, SLAG, GRAVEL OR "SOLITE".



TO FACILITATE DEWATERING, POCKETS CAN BE UNDERCUT AT CONVENIENT INTERVALS & FILLED WITH GRAVEL TO ESTABLISH LOCATIONS FOR SUCTION END OF DEWATERING PUMP.

EACH LIFT TO BE COMPLETELY COMPACTED TO REQUIRED DENSITY BEFORE STARTING NEXT LIFT. NO LIFT TO EXCEED 6" WHEN COMPACTED.

PIPE BEDDING
CASE 2

*CITY OF
JACKSONVILLE
STANDARD*

N.T.S.

PLATE D-802

DATE DRAWN 8-5-79

REVISED DATE 5-12-94