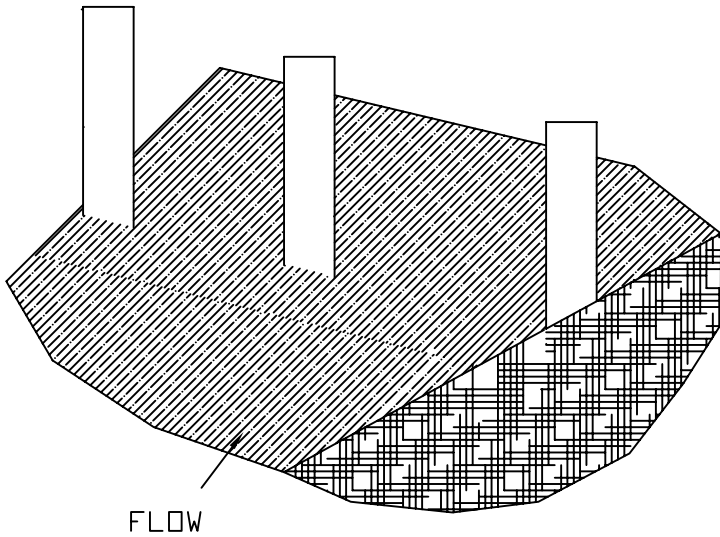
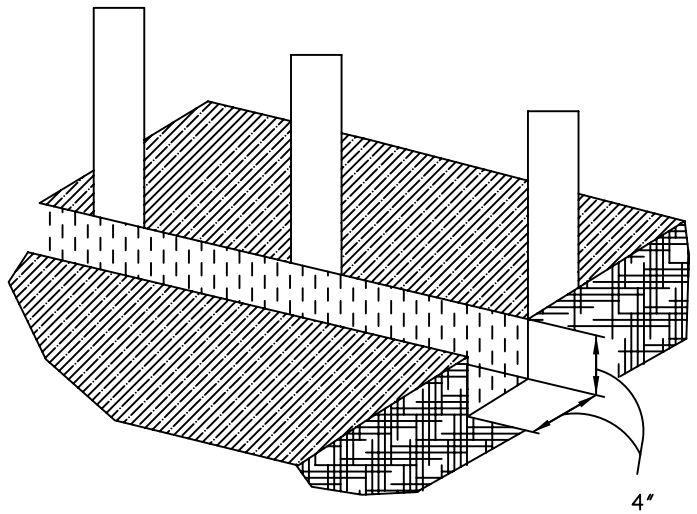


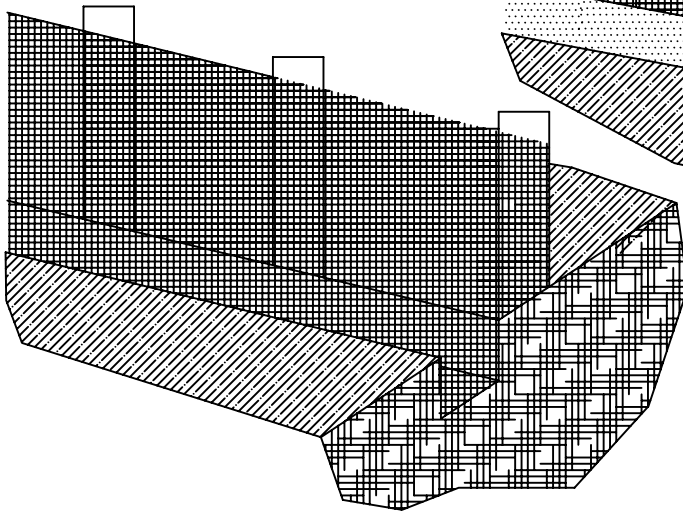
1. SET THE STAKES.



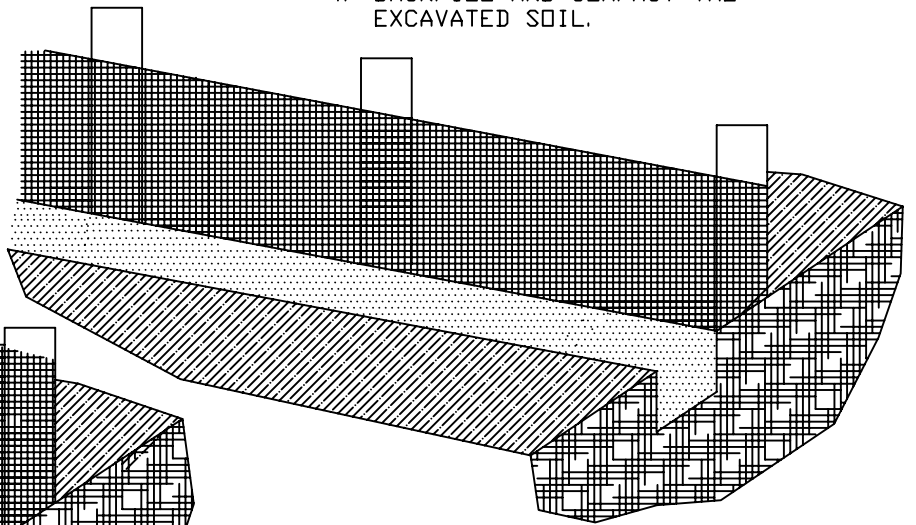
2. EXCAVATE A 4" x 4" TRENCH UPSLOPE ALONG THE LINE OF STAKES.



3. STAPLE FILTER MATERIAL TO STAKES AND EXTEND IT INTO THE TRENCH.



4. BACKFILL AND COMPACT THE EXCAVATED SOIL.



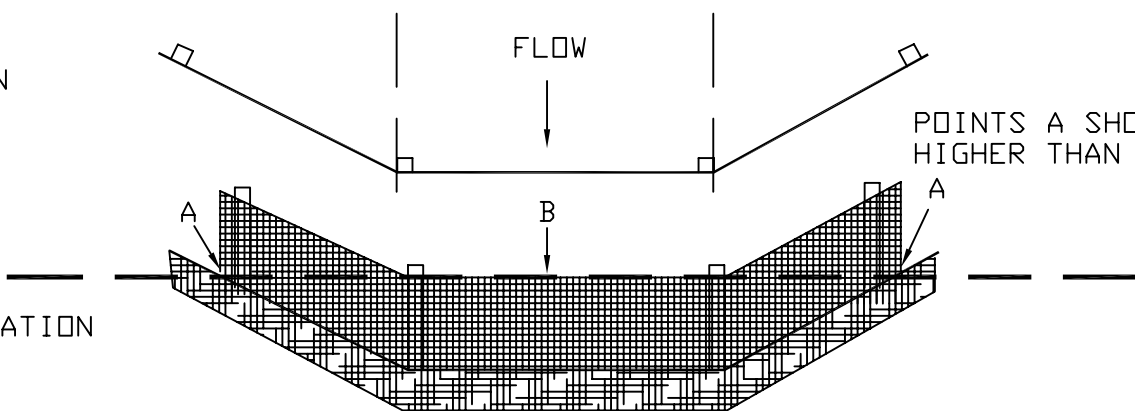
CONSTRUCTION OF A FILTER BARRIER

PLAN

FLOW

POINTS A SHOULD BE HIGHER THAN B

ELEVATION



PROPER PLACEMENT OF A FILTER BARRIER IN A DRAINAGE WAY

FILTER BARRIER
CONSTRUCTION DETAIL

*CITY OF
JACKSONVILLE
STANDARD*

N.T.S.

PLATE D-910

DATE DRAWN 08/05/93

REVISED DATE 5-12-94