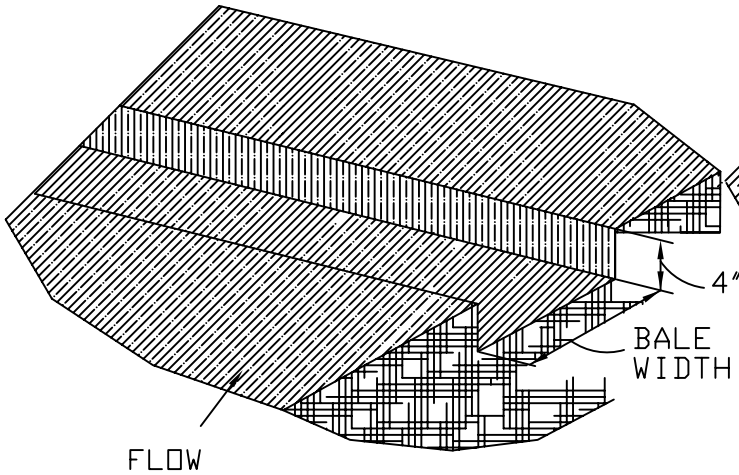
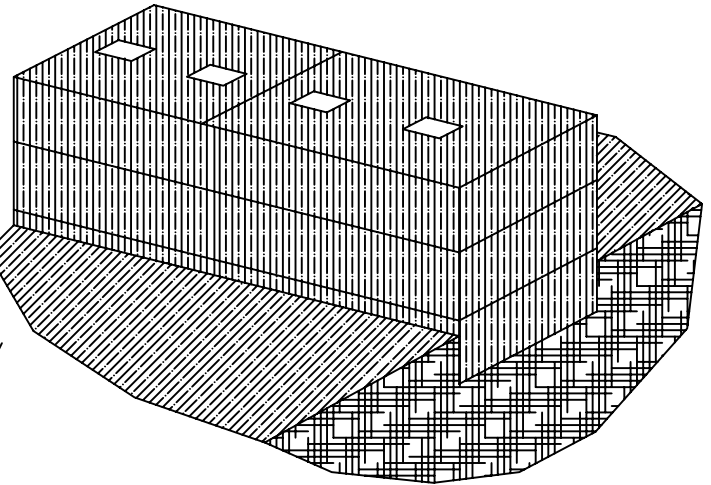


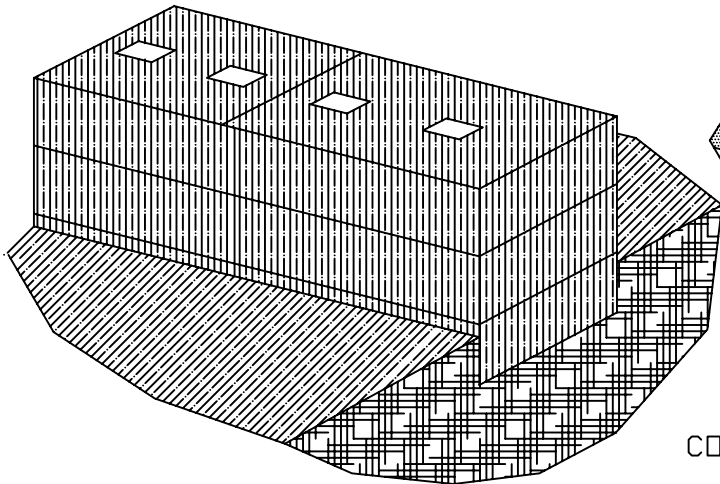
1. EXCAVATE THE TRENCH.



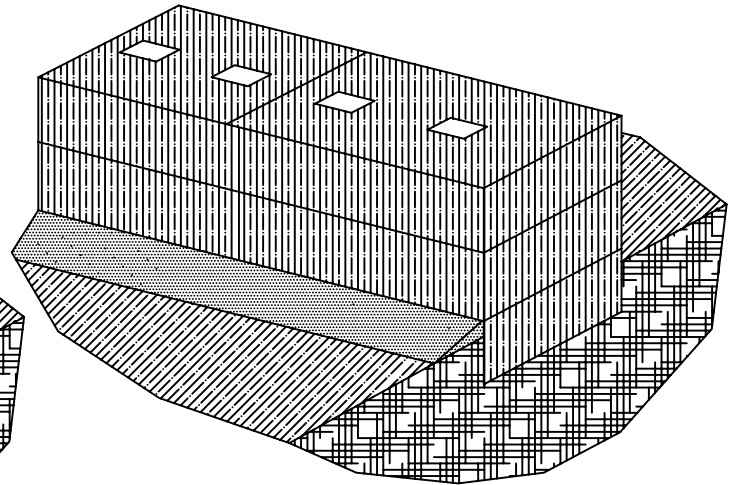
2. PLACE AND STAKE STRAW BALES.



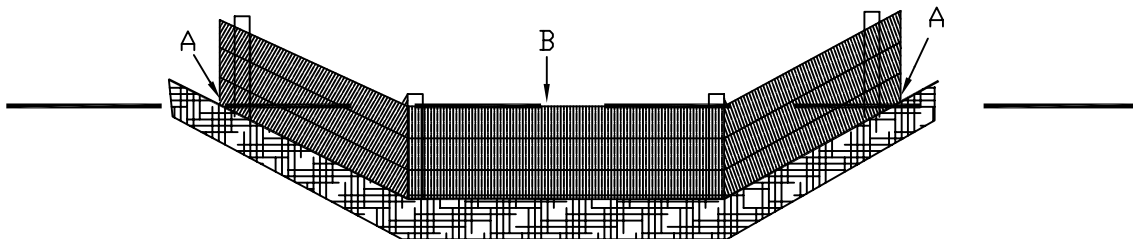
3. WEDGE LOOSE STRAW BETWEEN BALES.



4. BACKFILL AND COMPACT THE EXCAVATED SOIL.



CONSTRUCTION OF A HAY BALE BARRIER.



POINTS A SHOULD BE HIGHER THAN POINT B

PROPER PLACEMENT OF HAY BALE BARRIER IN DRAINAGE WAY

HAY BALE BARRIER
CONSTRUCTION DETAILS

*CITY OF
JACKSONVILLE
STANDARD*

N.T.S.

PLATE D-913

DATE DRAWN 08/05/93

REVISED DATE 5-12-93