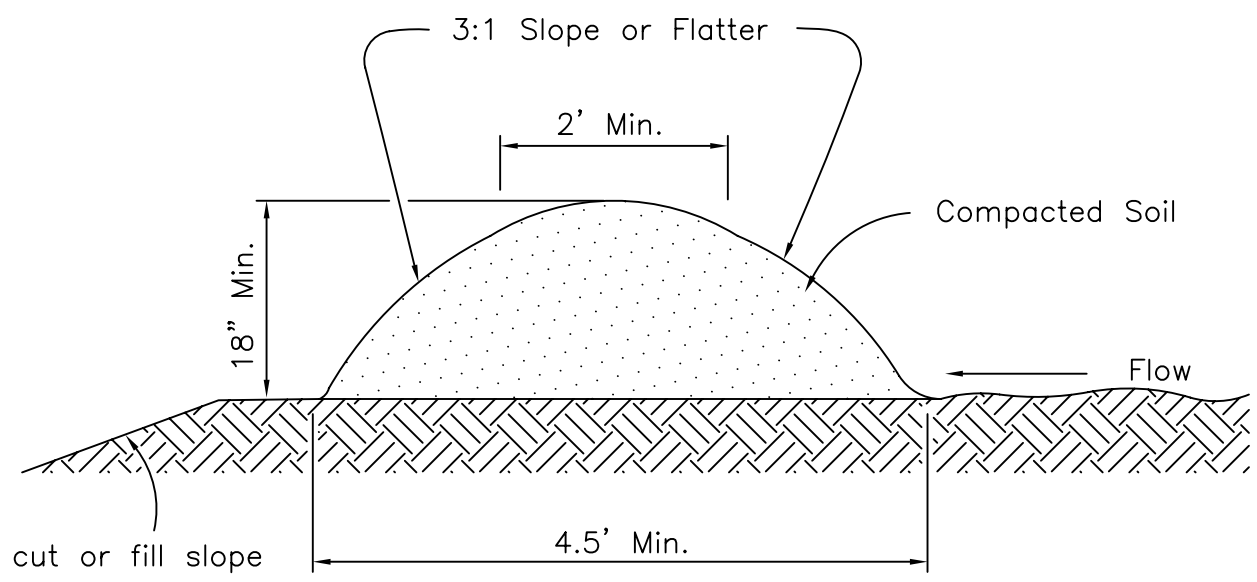


LEVEL SPREADER



TEMPORARY DIVERSION DIKE

DIVERSION DIKE	<i>CITY OF JACKSONVILLE STANDARD</i>		N.T.S.	PLATE D-914
			DATE DRAWN	05-09-90
			REVISED DATE	5-12-94