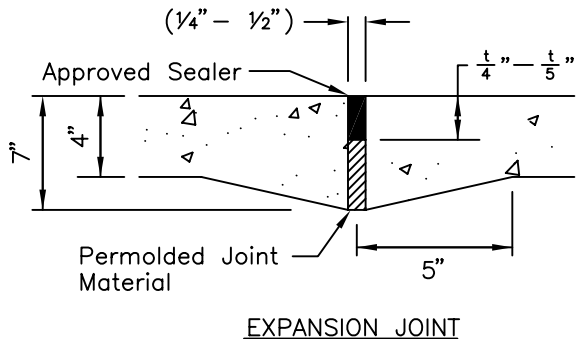
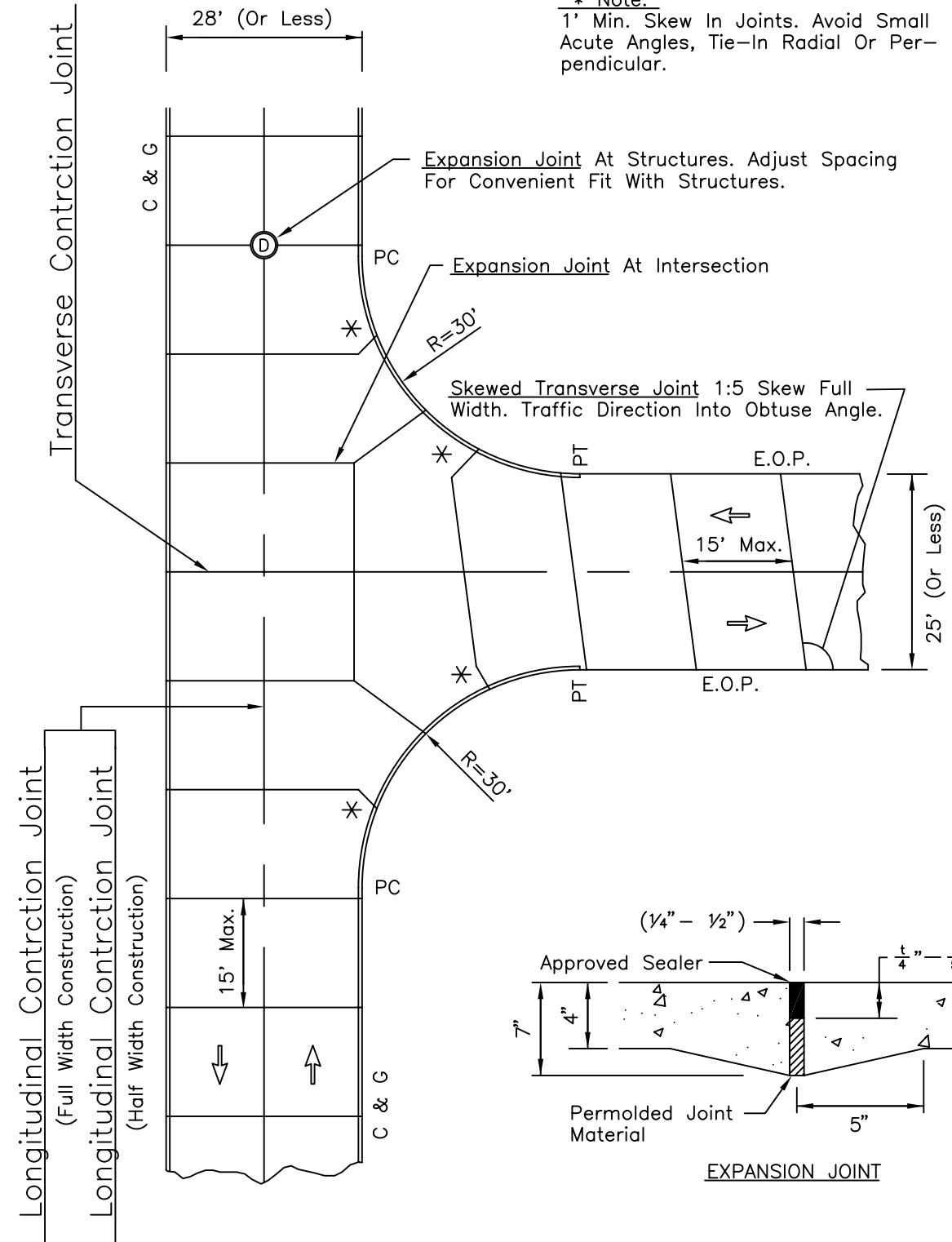
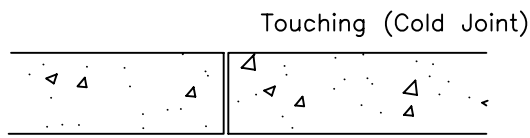


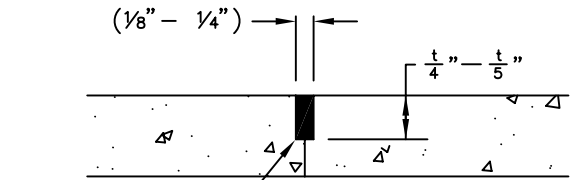
**\* Note:**  
 1' Min. Skew In Joints. Avoid Small Acute Angles, Tie-In Radial Or Perpendicular.



**EXPANSION JOINT**



**CONSTRUCTION JOINT**



**CONTRACTION JOINT**

RIGID PAVEMENT  
 JOINT DETAILS

*CITY OF  
 JACKSONVILLE  
 STANDARD*

N.T.S.	PLATE P-110
DATE DRAWN	8-3-79
REVISED DATE	10-14-97