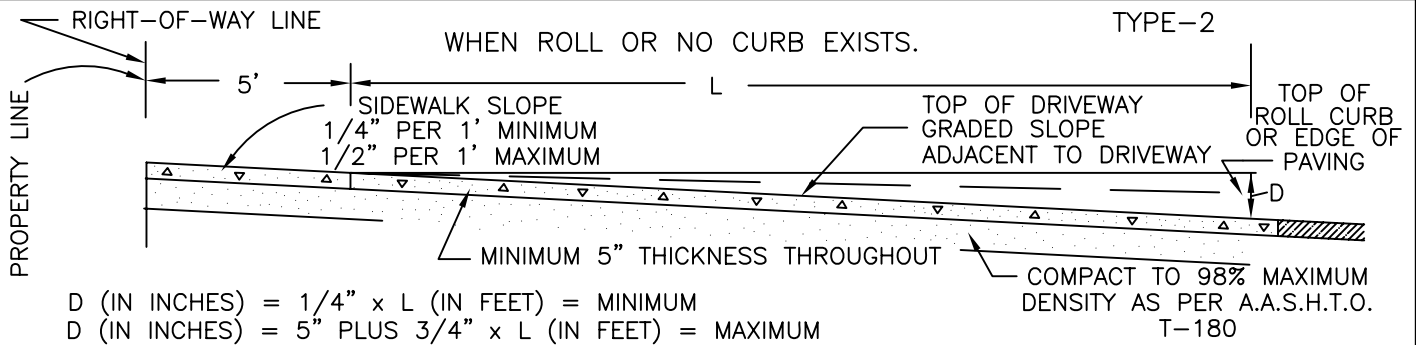
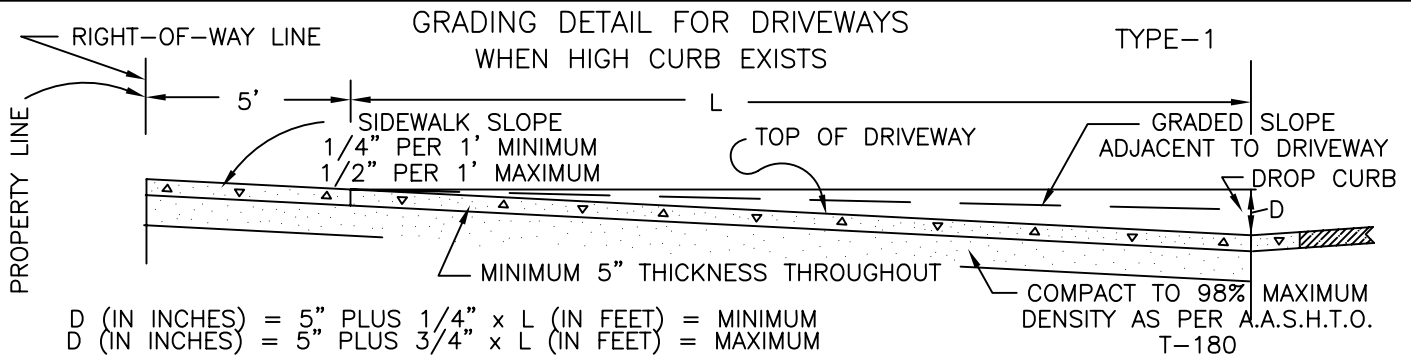
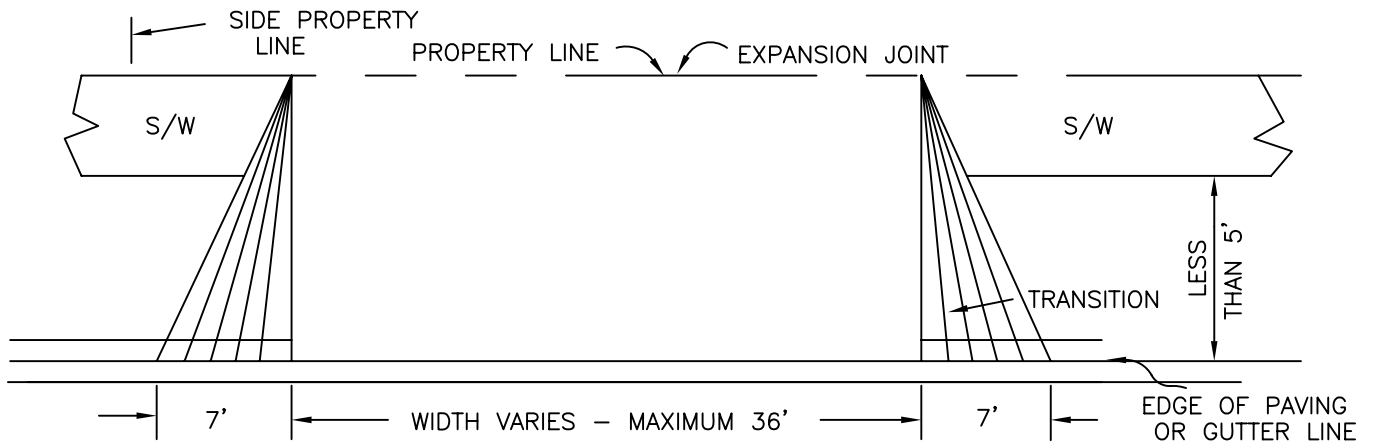
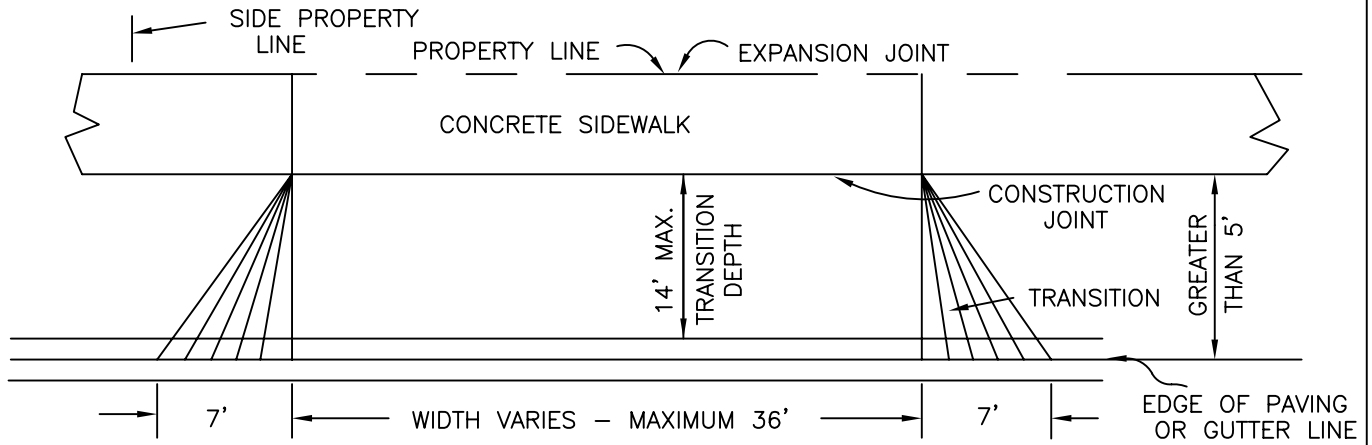


STANDARD DRIVEWAY CONSTRUCTION
ENGINEERING DIVISION – CITY OF JACKSONVILLE, FLORIDA

PERMIT REQUIRED



NOTE: MOST DRIVEWAY GRADES CAN BE MADE TO FIT THE ABOVE STANDARDS. DRIVEWAYS AND CROSS-OVERS TO BE A MINIMUM OF 2500 P.S.I. CONCRETE. DRIVEWAY NOT TO EXCEED LIMIT OF SIDE PROPERTY LINE. UNDERGROUND UTILITIES MAY EXIST ON SITE. CONTACTOR SHALL CONTACT PROPER AUTHORITIES PRIOR TO CONSTRUCTION.

OPTIONAL FLARED
COMMERCIAL CONCRETE
DRIVEWAY DETAILS

*CITY OF
JACKSONVILLE
STANDARD*

N.T.S.

PLATE P-206

DATE DRAWN JULY 1978

REVISED DATE 9/5/03