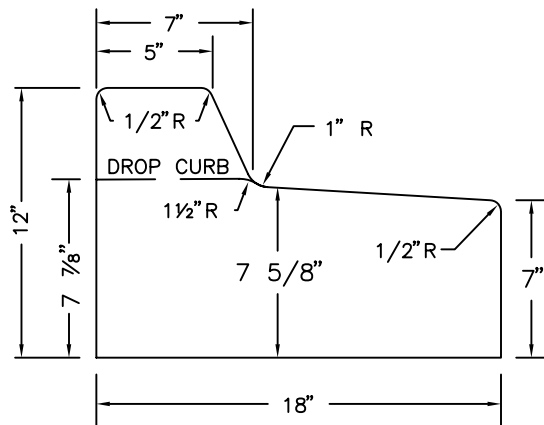
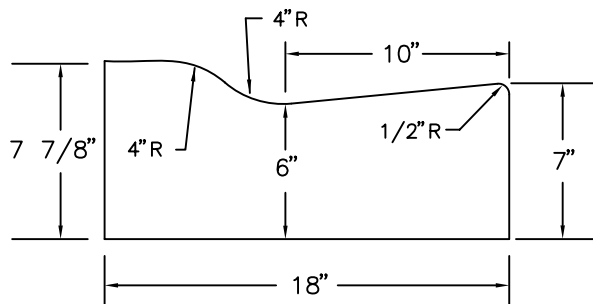


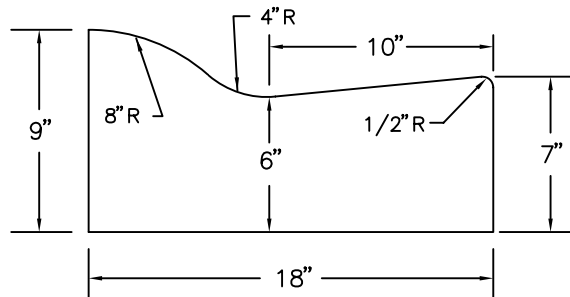
CITY STANDARD



MEDIAN CURB

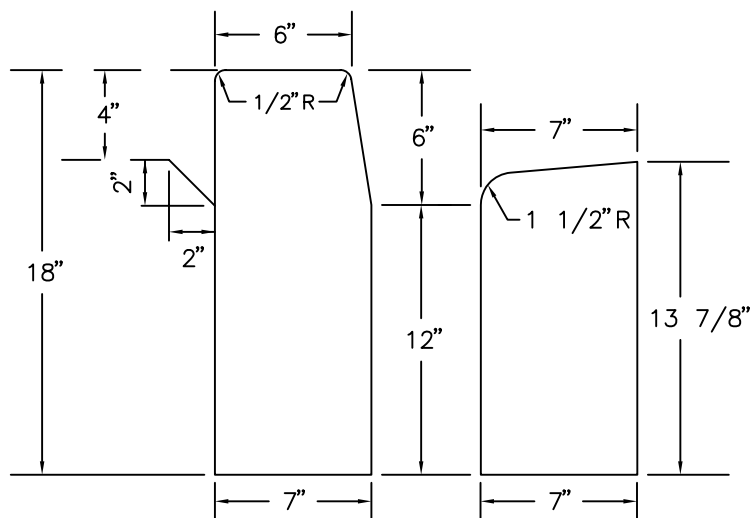


DROP CURB



MIAMI CURB

MONOLITHIC CURB & SIDEWALK



HEADER, DROP, & MONOLITHIC CURB

CONCRETE QUANTITIES

CITY STANDARD CURB	.0388889 CU. YD./LIN. FT.
STANDARD DROP CURB	.0322222 CU. YD./LIN. FT.
MEDIAN CURB	.0411111 CU. YD./LIN. FT.
MIAMI CURB	.0325926 CU. YD./LIN. FT.
HEADER CURB	.0314815 CU. YD./LIN. FT.
HEADER DROP CURB	.0244444 CU. YD./LIN. FT.

CITY STANDARD CURB TEMPLATES

*CITY OF JACKSONVILLE STANDARD*

N.T.S.

PLATE P-301

DATE DRAWN 11-07-72

REVISED DATE 08-12-81