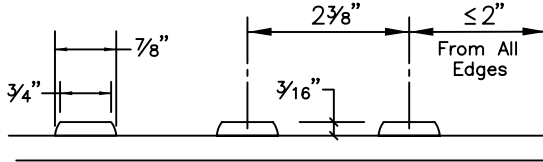
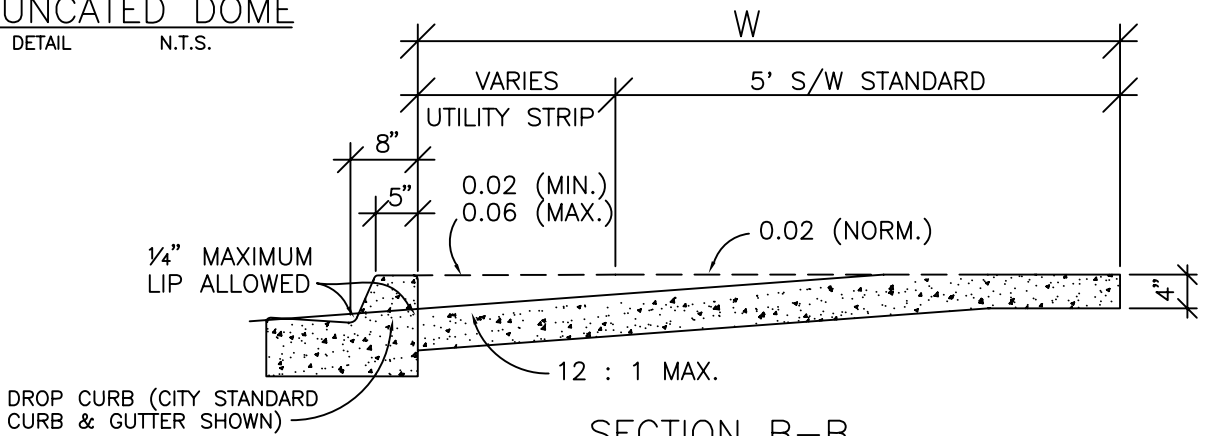


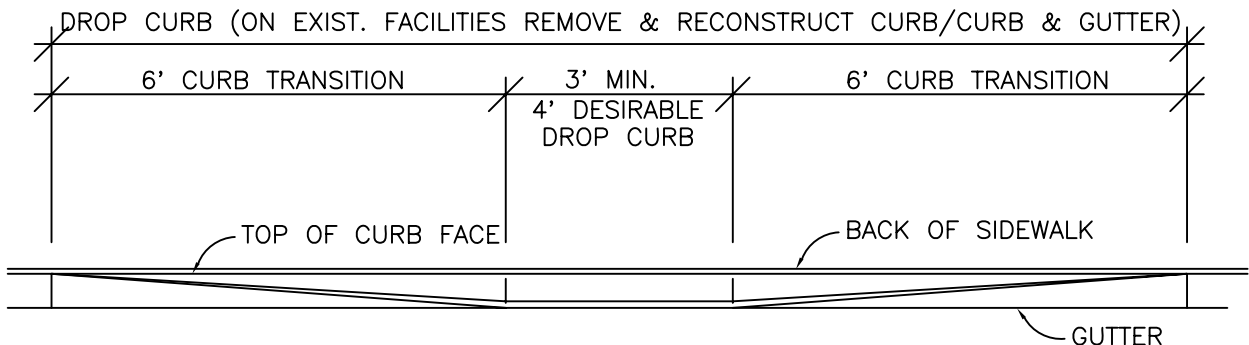
PLAN VIEW
N.T.S.



TRUNCATED DOME
DETAIL N.T.S.



SECTION B-B
N.T.S.



SECTION A-A
N.T.S.

CURB CUT RAMP FACILITY FOR PHYSICALLY HANDICAPPED CITY STANDARD CURB & GUTTER	<i>CITY OF JACKSONVILLE STANDARD</i>		N.T.S.	PLATE P-302
			DATE DRAWN	8/12/93
			REVISED DATE	9/07/01