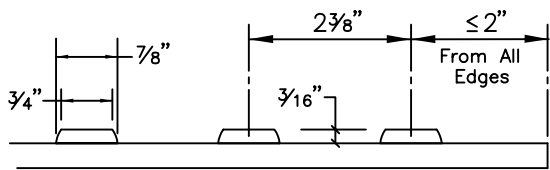
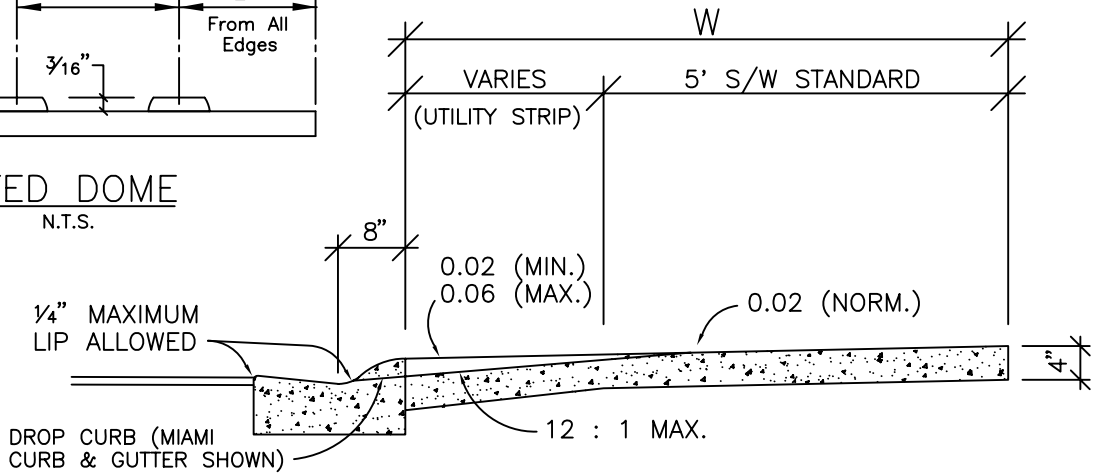


* BACK OF SIDEWALK CROSS-SLOPE DROP & TRANSITION REQ'D WHEN W IS EQUAL TO OR LESS THAN 7.0' W/0.02 CROSS SLOPE

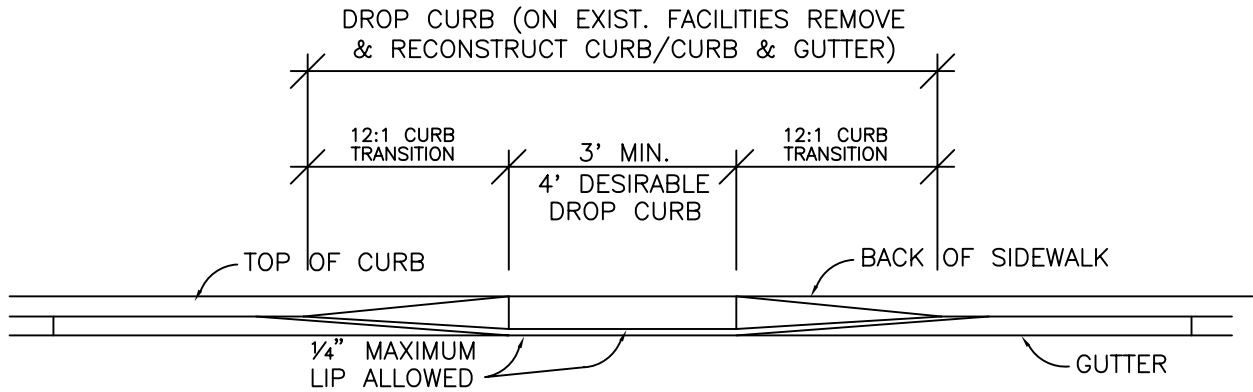
PLAN VIEW
N.T.S.



TRUNCATED DOME
DETAIL N.T.S.



SECTION B-B
N.T.S.



SECTION A-A
N.T.S.

CURB CUT RAMP
FACILITY FOR
PHYSICALLY HANDICAPPED
MIAMI CURB & GUTTER

CITY OF
JACKSONVILLE
STANDARD

N.T.S.

PLATE P-303

DATE DRAWN 8-12-93

REVISED DATE 9/7/01