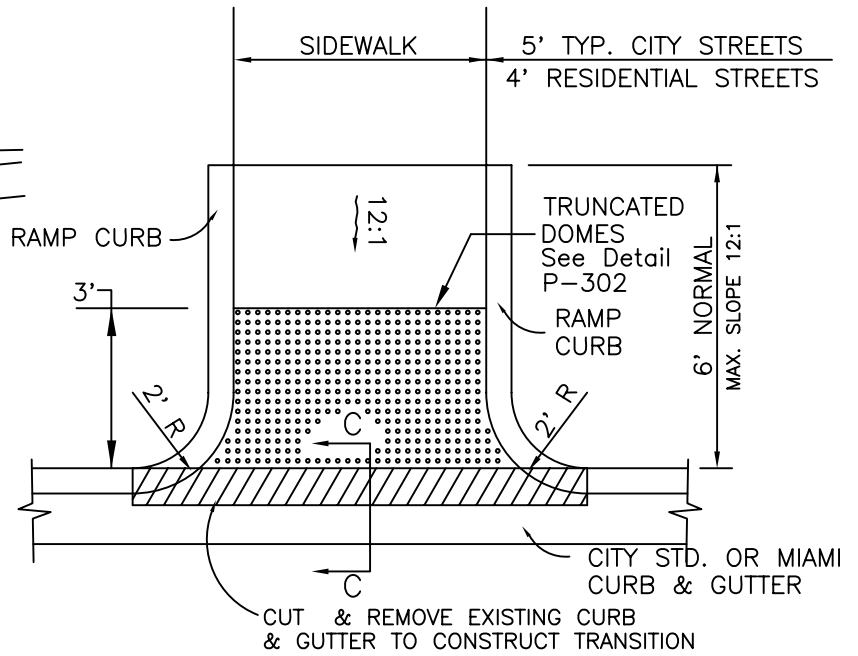
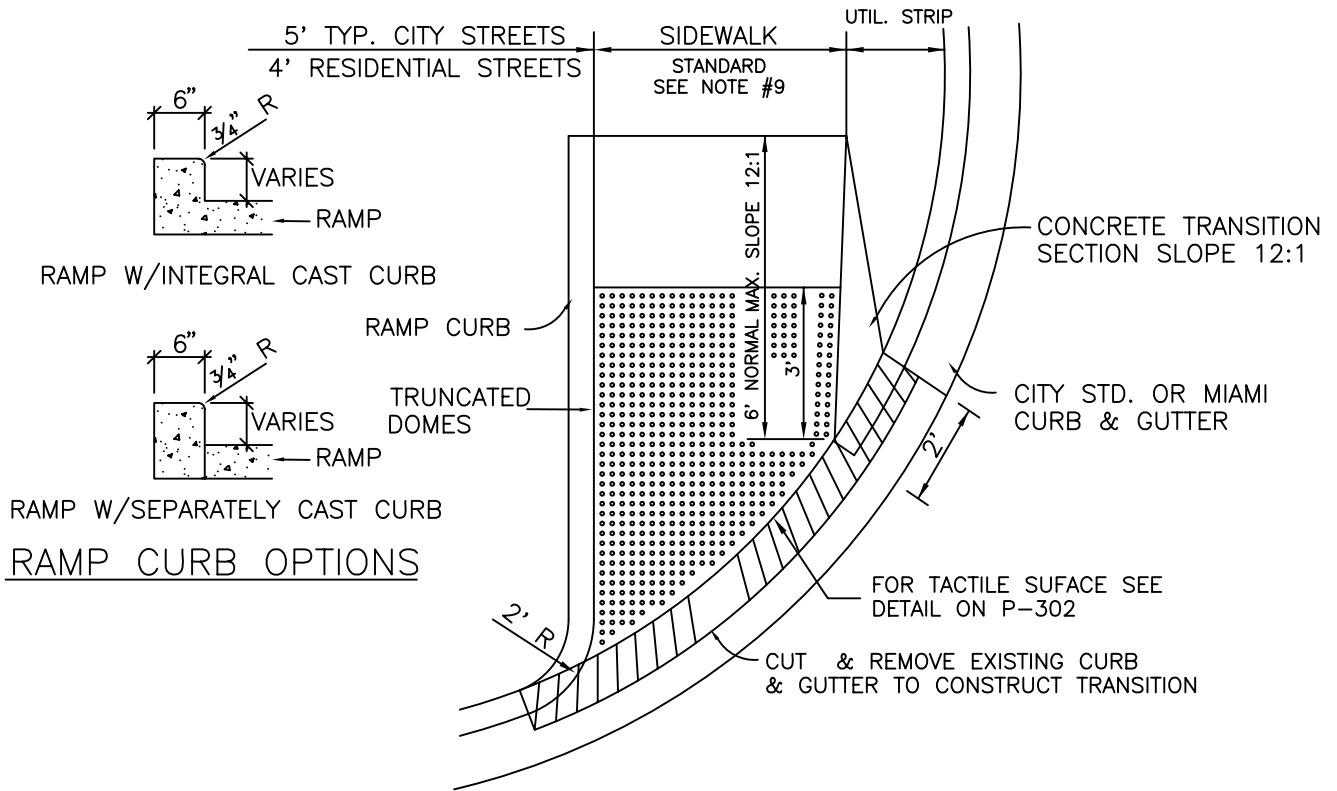


SECTION C - C



PLAN VIEW

N.T.S.



RAMP CURB OPTIONS

PLAN VIEW

N.T.S.

DETECTABLE WARNINGS IN CURB RAMPS/CROSSWALKS SHALL COMPLY WITH ALL ADA REQUIREMENTS INCLUDING 4.7.7 / 4.29 AND FDOT INDEX NO. 304

| | | | | |
|---|--------------------------------------|--|--------------|-------------|
| CURB CUT RAMP FACILITY FOR PHYSICALLY HANDICAPPED | <i>CITY OF JACKSONVILLE STANDARD</i> | | N.T.S. | PLATE P-304 |
| | | | DATE DRAWN | 8/12/93 |
| | | | REVISED DATE | 9/7/01 |