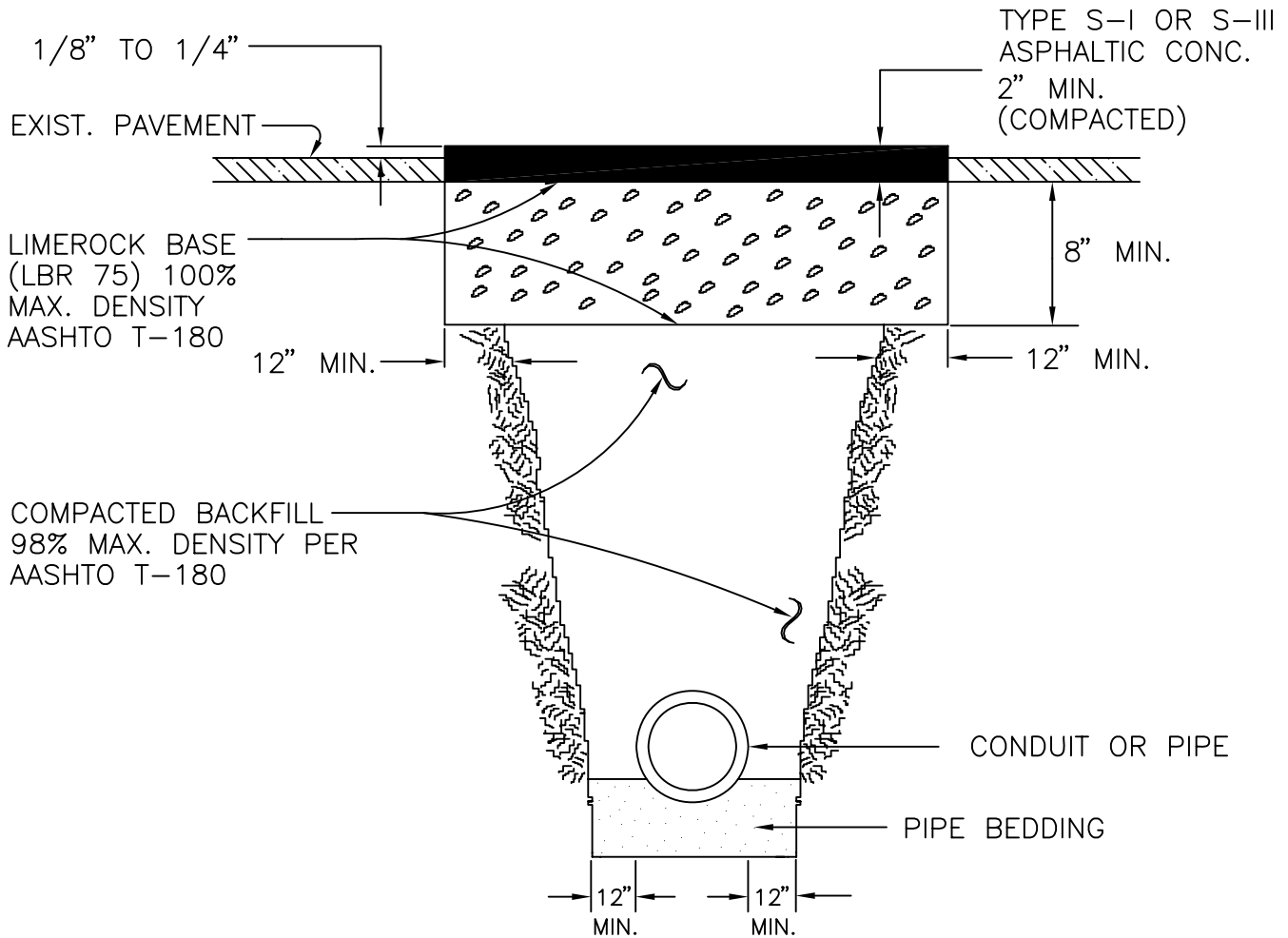


# CASE I



NOTE:  
METHOD AND MATERIALS OF REPAIR SUBJECT TO  
CITY OF JACKSONVILLE CONSTRUCTION REQUIREMENTS  
FOR NEW PAVEMENT TYPE S-I OR S-III ASPHALT.

STANDARD PAVING  
REPAIR DETAIL

*CITY OF  
JACKSONVILLE  
STANDARD*

N.T.S.

PLATE P-402

DATE DRAWN DEC., 1971

REVISED DATE APRIL 1980