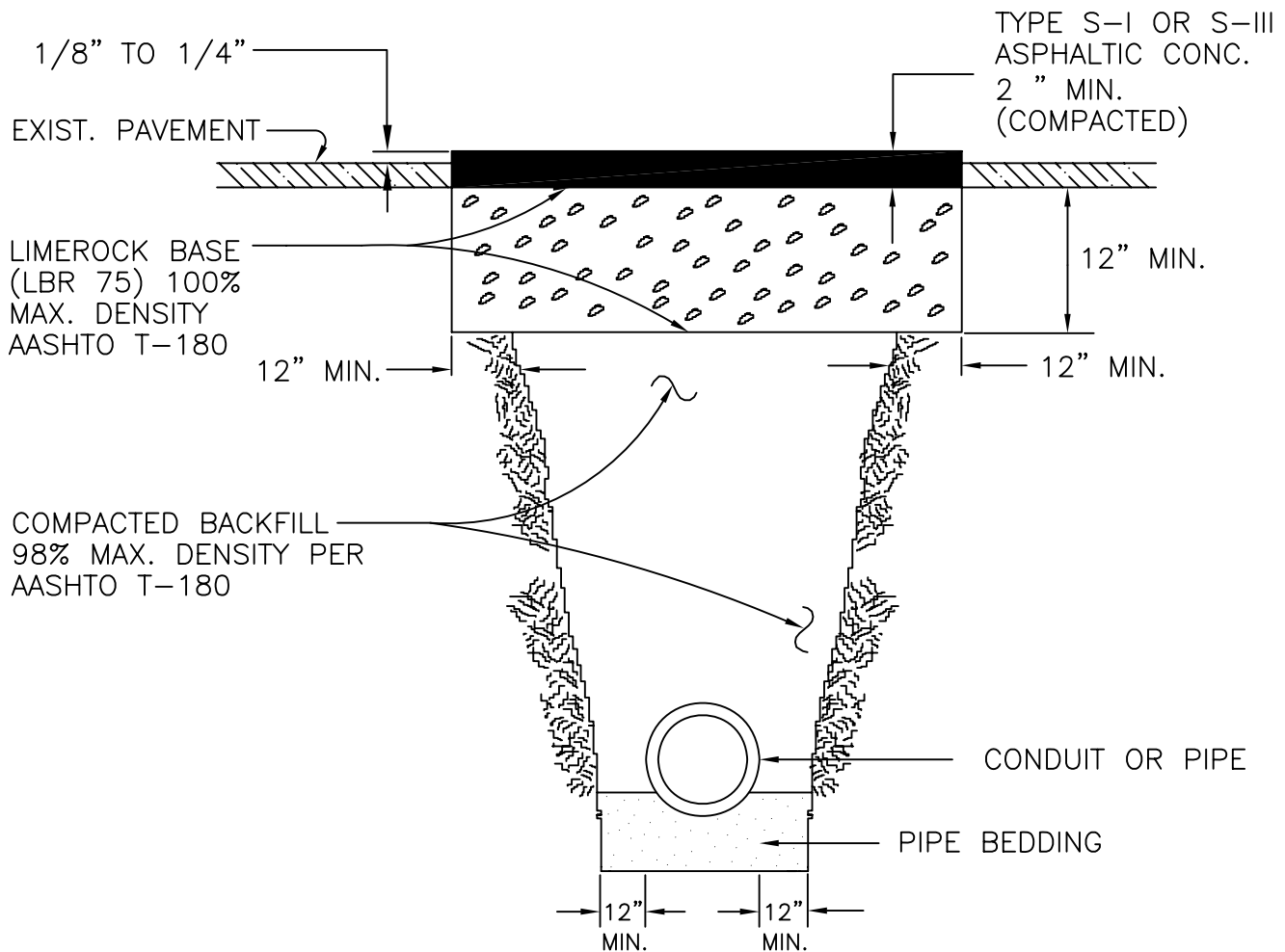


CASE II



NOTE:
 METHOD AND MATERIALS OF REPAIR SUBJECT TO
 CITY OF JACKSONVILLE CONSTRUCTION REQUIREMENTS
 FOR NEW PAVEMENT TYPE S-I OR S-III ASPHALT.

STANDARD PAVING
 REPAIR DETAIL

*CITY OF
 JACKSONVILLE
 STANDARD*

N.T.S.

PLATE P-403

DATE DRAWN DEC., 1971

REVISED DATE 9/22/97