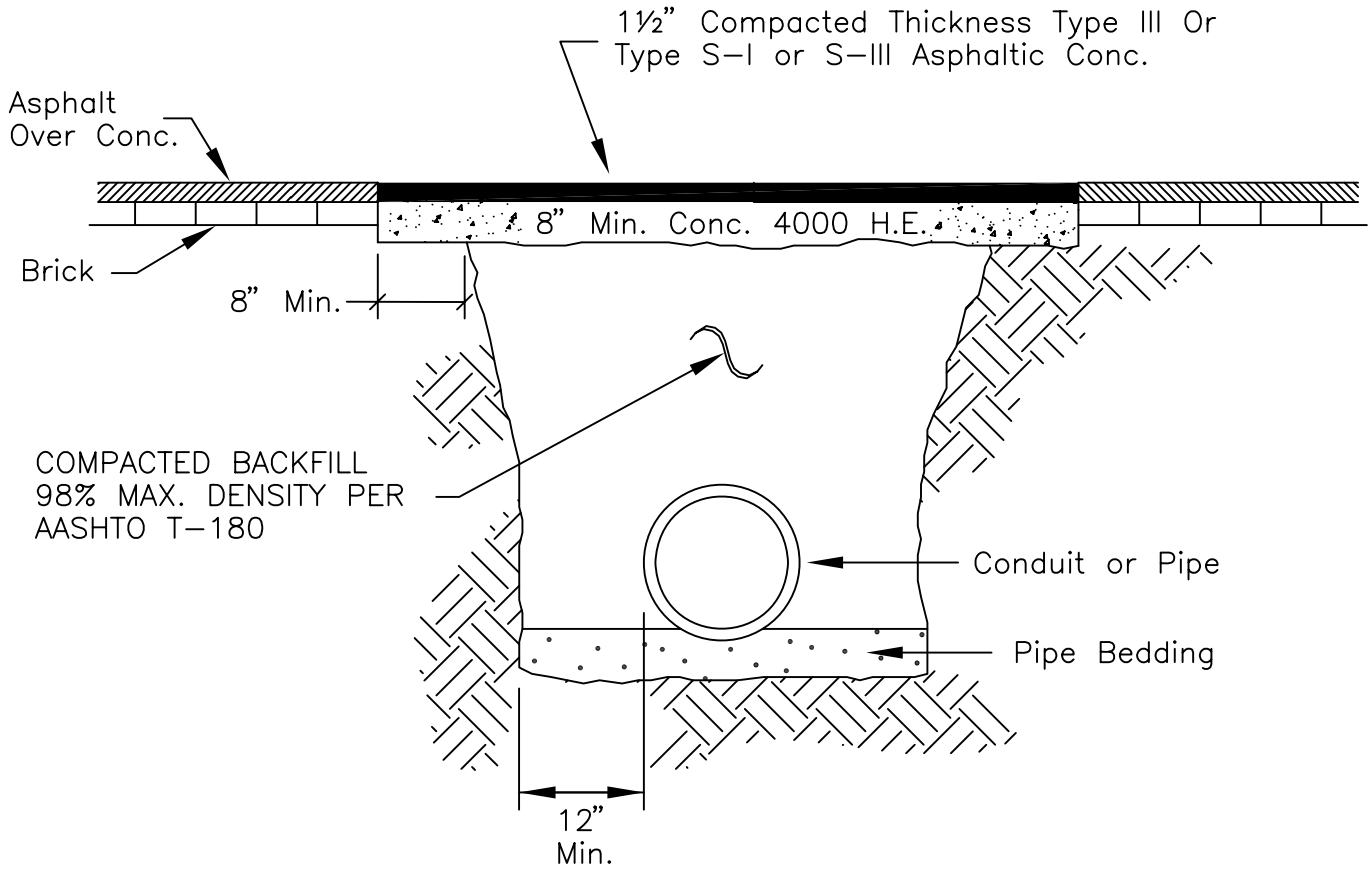


CASE IV



Note: Method And Materials Of Repair Subject To City Of Jacksonville Construction Requirements For New Pavement Type III, Type S-I Or S-III Asphaltic Conc.

STANDARD PAVING
REPAIR DETAIL

*CITY OF
JACKSONVILLE
STANDARD*

N.T.S.

PLATE P-405

DATE DRAWN 5/80

REVISED DATE 9/23/97