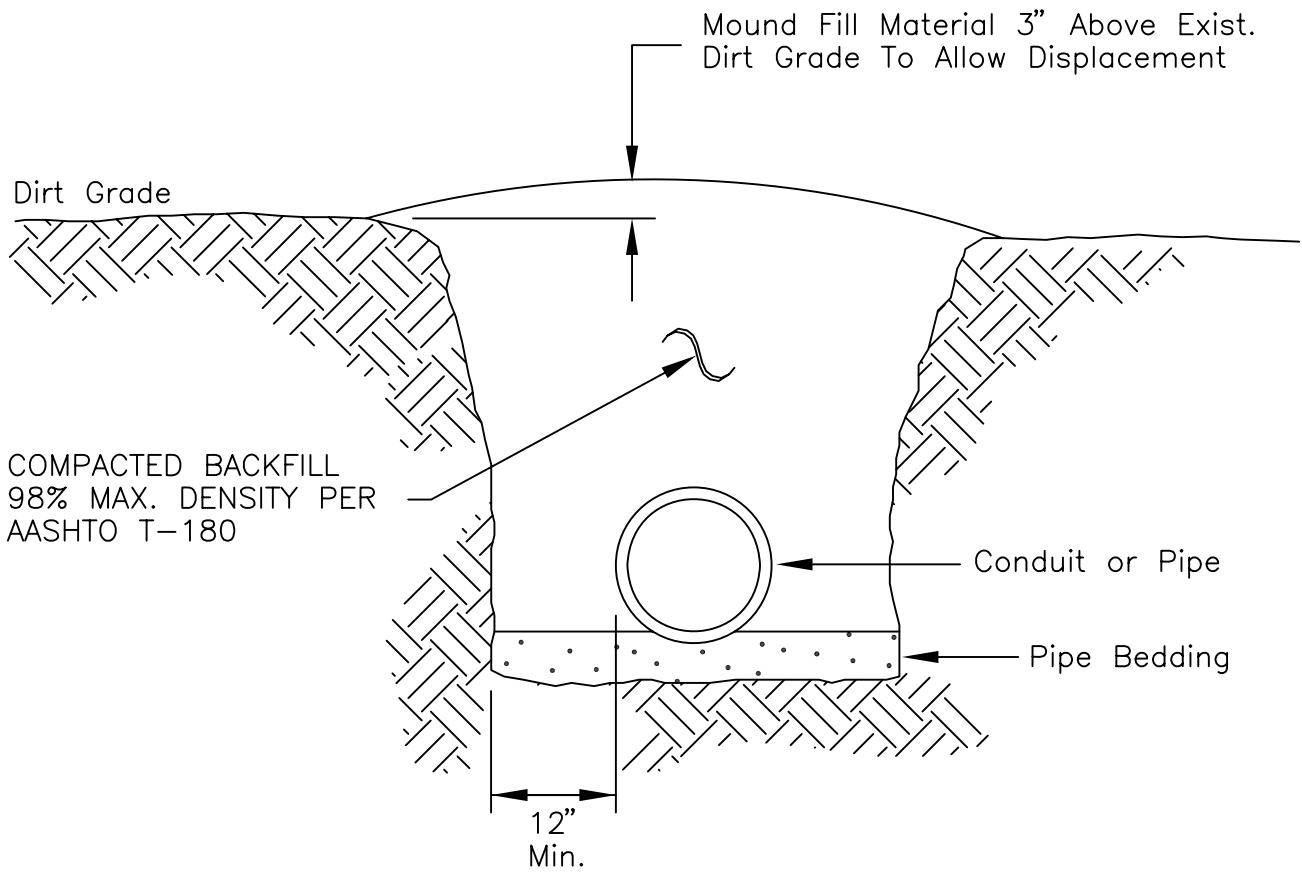


CASE V UNPAVED ROADS



UNPAVED ROADWAY REPAIR DETAIL	<i>CITY OF JACKSONVILLE STANDARD</i>		N.T.S.	PLATE P-406
			DATE DRAWN	4/80
			REVISED DATE	9/23/97