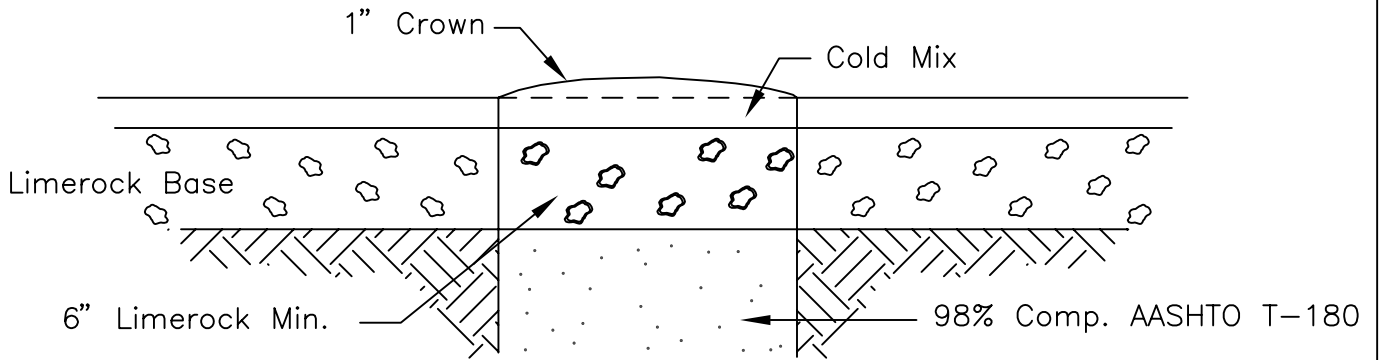
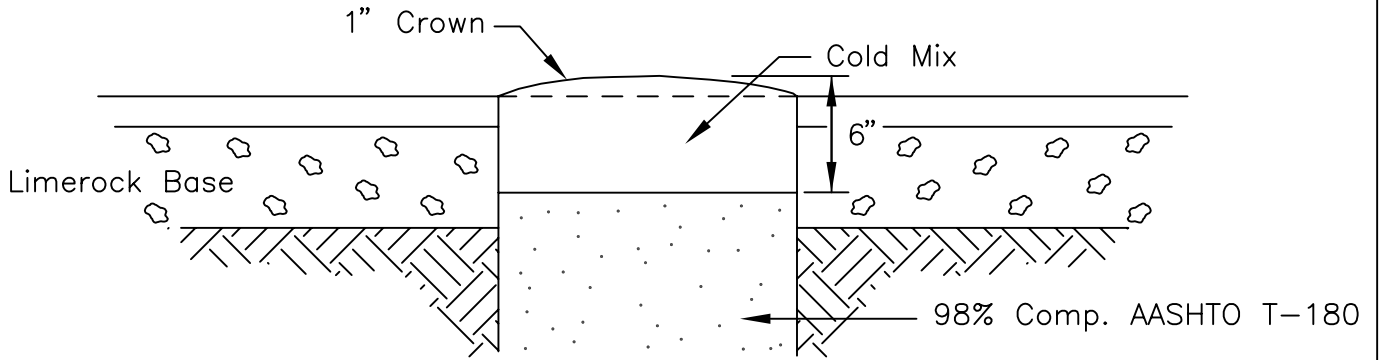


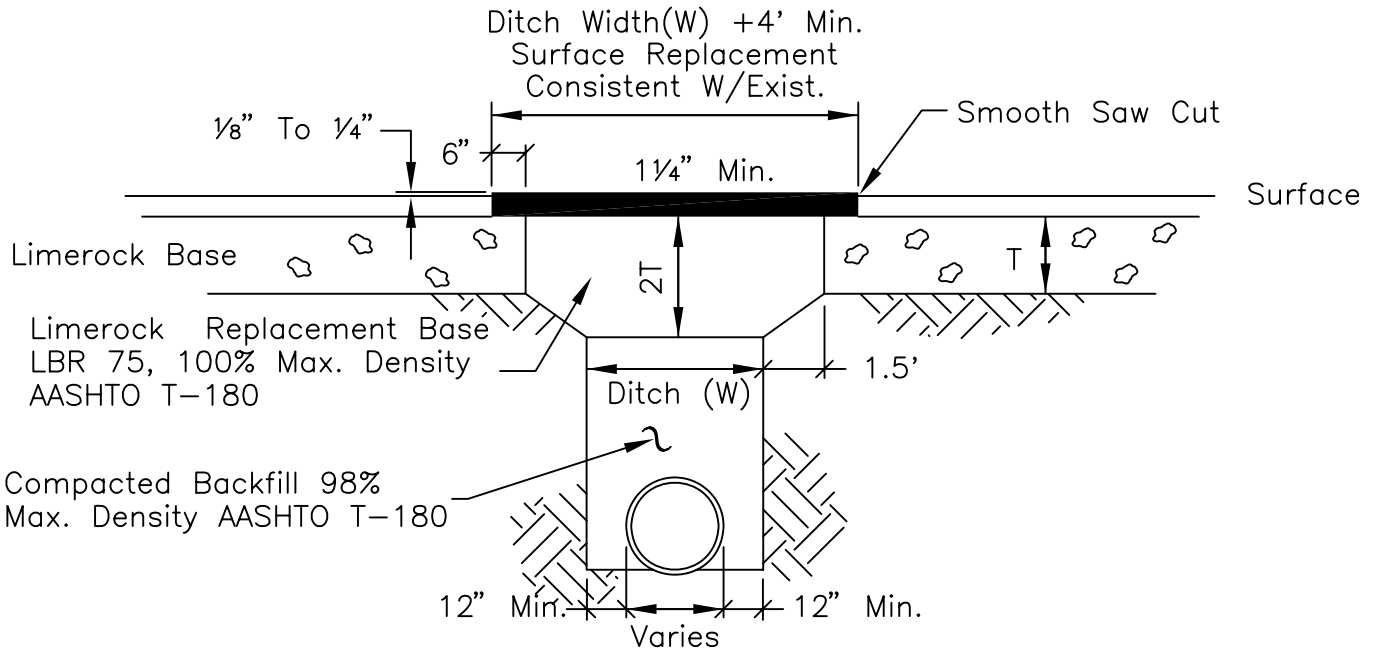
Case X



Temporary Type I Repair



Temporary Type II Repair



Permanent Repair

Note: In Some Cases Portland Cement Concrete May Be Considered Or Required By City Engineer For Surface Replacement.

STANDARD PAVING  
REPAIR DETAILS

*CITY OF  
JACKSONVILLE  
STANDARD*

N.T.S.

PLATE P-409

DATE DRAWN 7-6-73

REVISED DATE 9-18-96